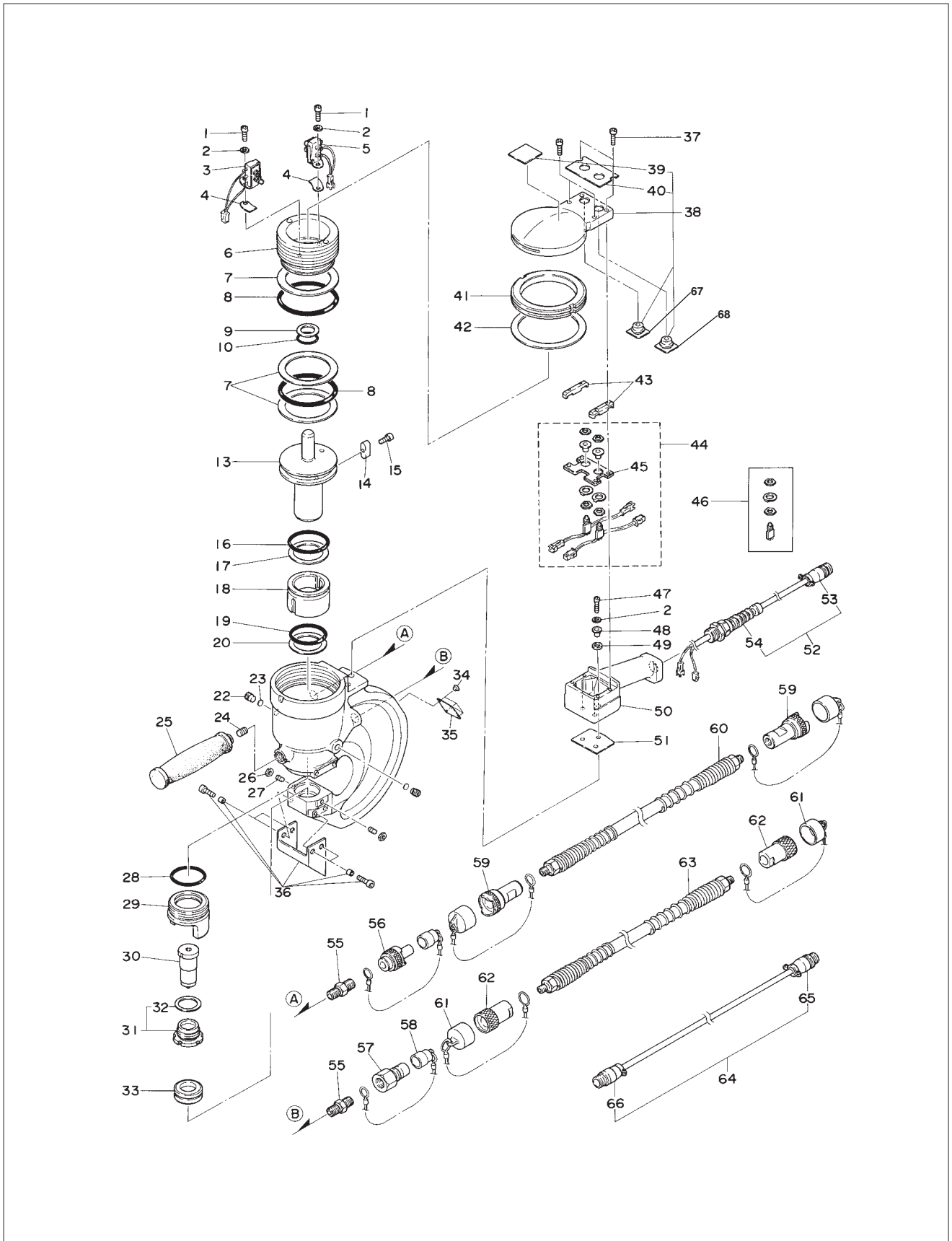


SELFER ACE HS07-1624/HS11-1624 ASSEMBLY



SELFER ACE HS07-1624/HS11-1624 PARTS LIST

The parts numbers with () are included in the Ass'y parts written above them.

| No. | Part No. | Part Name | Q'ty | Price |
|-----|-----------|--|-------|-------|
| 1 | TP01644 | Hex. Socket Head Bolt 6 X 12 | 2 | |
| 2 | TP00629 | Spring Washer M6 | 5 | |
| 3 | TB02278 | Limit Switch Lower Ass'y | 1 set | |
| 4 | (TQ02047) | Shim 1.0 (for Adjustment) | | |
| 4 | (TQ02048) | Shim 0.5 | | |
| 5 | TB02277 | Limit Switch Upper End Ass'y | 1 set | |
| 6 | TQ02014 | Cap | 1 | |
| 7 | TQ02015 | Back-up Ring P-85 T3 | 3 | |
| 8 | TQ02011 | O-Ring P-85 PUR | 2 | |
| 9 | CP23977 | Back-up Ring P-20 T2 | 1 | |
| 10 | TQ02016 | O-Ring P-20 | 1 | |
| 13 | TQ02005 | Ram | 1 | |
| 14 | TQ02006 | Parallel Key 10 X 8 X 22 | 1 | |
| 15 | TP06342 | Hex. Bolt 4 X 10 | 1 | |
| 16 | TQ02002 | O-Ring P-60 PUR | 1 | |
| 17 | TQ02003 | Back-up Ring P-60 T2 | 1 | |
| 18 | TQ01999 | Bushing | 1 | |
| 19 | TQ02000 | O-Ring P-45 PUR | 1 | |
| 20 | TQ02001 | Back-up Ring P-45 T2 | 1 | |
| 22 | TQ02054 | Set Screw | 2 | |
| 23 | TQ02055 | Copper Packing 10 X 5 | 2 | |
| 24 | TQ02004 | Hex. Socket Set Screw 8 X 16 | 1 | |
| 26 | TQ01050 | Small Hex. Nut Type 3 M8 | 2 | |
| 27 | TQ02304 | Hex. Socket Set Screw with Cone Point 8 X 20 | 2 | |
| 28 | CP28124 | O-Ring P-45 | 1 | |
| 29 | TQ02043 | Stripper | 1 | |
| 30 | TJ06676 | Punch 22 | 1 | |
| 31 | TA99036 | Lock Nut Ass'y | 1 set | |
| 32 | (TP07009) | Urethane Washer 31 X 40 X 3.1 | 1 | |
| 33 | TJ06677 | Die 22 | 1 | |
| 34 | TP05136 | Drive Rivet No. 2 X 4.8 | 4 | |
| 35 | TQ03224 | Plate Model Number (HS07) | 1 | |
| 35 | TQ03226 | Plate Model Number (HS11) | 1 | |
| 37 | TP04154 | Hex. Socket Head Cap Screw 4 X 16 | 4 | |
| 38 | TB02463 | Head Cover Ass'y | 1 set | |
| 39 | (TQ03223) | Label - Warning | 1 | |
| 40 | (TQ03222) | Label - Switch | 1 | |
| 41 | TQ02027 | Lock Ring | 1 | |
| 42 | TQ02197 | Folding Washer | 1 | |
| 43 | TQ02051 | Spacer | 2 | |
| 44 | TB02387 | Switch Plate Ass'y | 1 set | |
| 45 | (TB01924) | Switch Plate Sub Ass'y | 1 set | |

| No. | Part No. | Part Name | Q'ty | Price |
|-----|-----------|-----------------------------------|-------|-------|
| 46 | (TQ06476) | Push Button Switch MB2011 | 2 | |
| 47 | TP10953 | Hex. Socket Head Cap Screw 6 X 18 | 3 | |
| 48 | TQ02044 | Distance Collar M6 | 3 | |
| 49 | TQ02045 | Washer 10 X 18 X 2 | 3 | |
| 50 | TQ02038 | Grip | 1 | |
| 51 | TQ02046 | Grip Sheet | 1 | |
| 52 | TB02389 | Metal Cord | 1 set | |
| 53 | (TQ02036) | Metal Cord Plug | 1 | |
| 54 | (TQ02219) | Cord Stopper BS-9 | 1 | |
| 55 | TQ02142 | Nipple R3/8 X R3/8 | 2 | |
| 56 | CA94119 | 700R-3P Cupla w/Cap | 1 set | |
| 57 | CA82240 | 450B-3P Ass'y | 1 set | |
| 58 | CB09421 | 450B-3P-D Ass'y | 1 set | |

ACCESSORIES

| | | | | |
|----|-----------|--------------------------------|--------|--|
| 25 | TA92089 | Sub Handle Ass'y | 1 set | |
| 36 | TB02230 | Chip Guard Ass'y | 1 set | |
| 59 | CA94118 | 700R-3S Cupla w/Cap | 2 sets | |
| 60 | TP05184 | Ultra-high Pressure Hose | 1 | |
| 61 | CA96464 | Dust Cap | 2 sets | |
| 62 | CB00126 | 450B-3S Ass'y | 2 sets | |
| 63 | TQ02569 | High Pressure Hose | 1 | |
| 64 | TB02390 | Switch Cord Ass'y | 1 set | |
| 65 | (TQ02568) | Metal Straight Plug | 1 | |
| 66 | (TQ02567) | Metal Straight Socket | 1 | |
| 67 | TP10878 | Red Cap (Stop Button Cover) | 1 | |
| 68 | TP10877 | Black Cap (Start Button Cover) | 1 | |
| | TB02142 | Hook Clamp Ass'y | 1 | |
| | TP01939 | Hex. Wrench Key 4 | 1 | |
| | TP04004 | Hex. Wrench Key 5 | 1 | |
| | TP06012 | Spanner | 1 | |
| | TP17991 | Spanner 12 | 1 | |
| | TP10198 | Tool Box 285 X 125 X 62 | 1 | |
| | TQ03228 | Instruction Manual | 1 | |