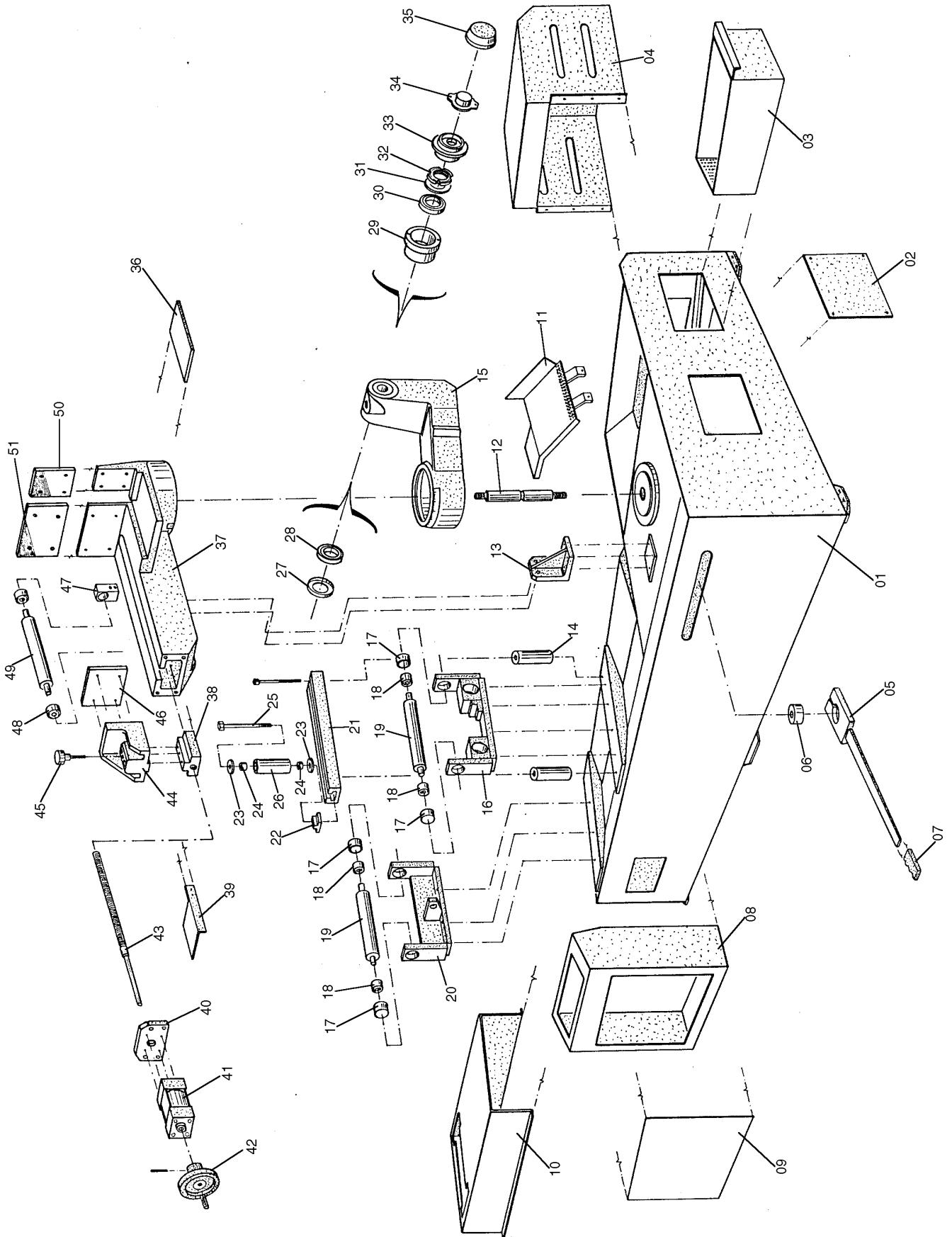
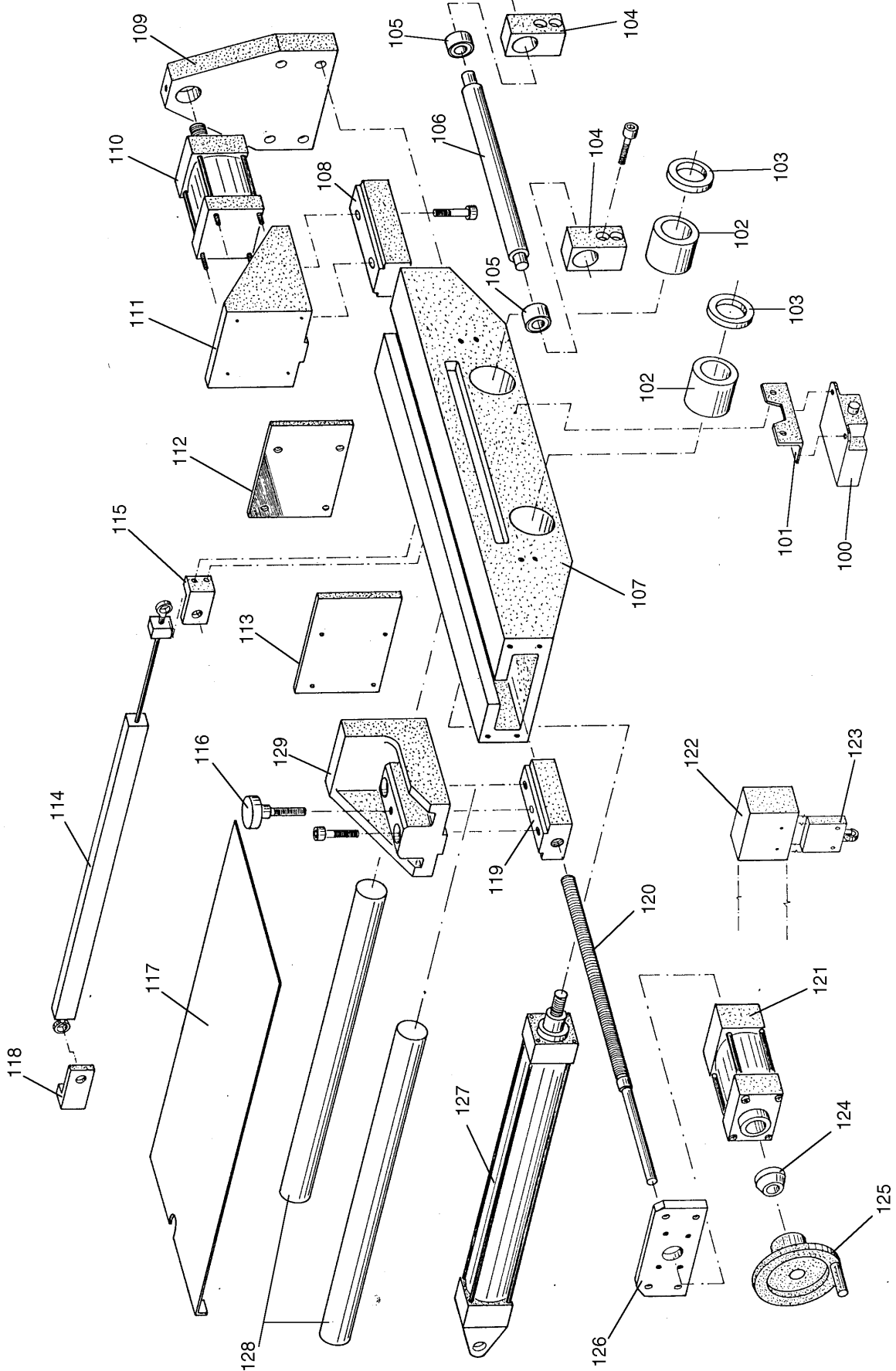




GRUPPO BASAMENTO

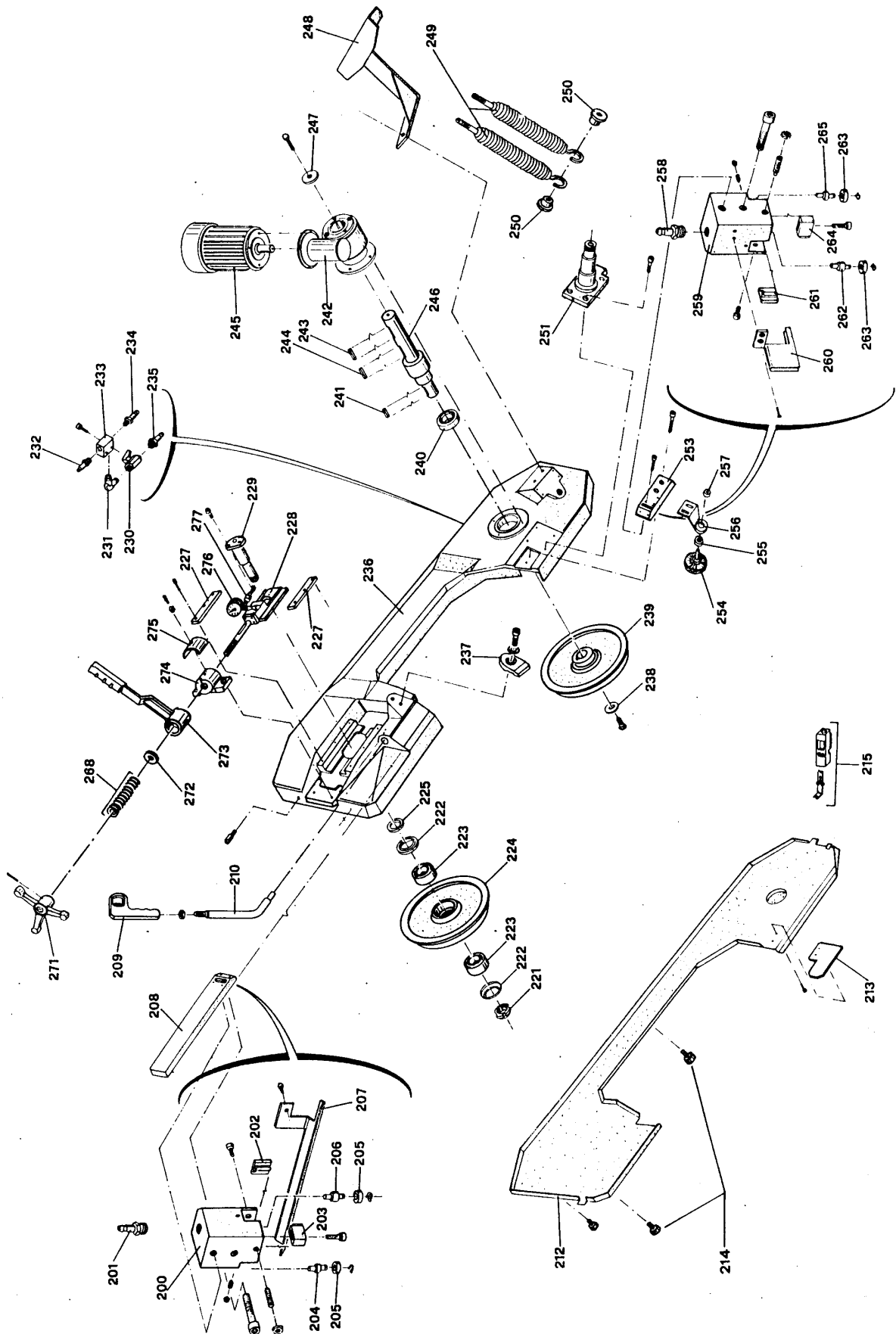


GRUPPO CARRO AVANZAMENTO



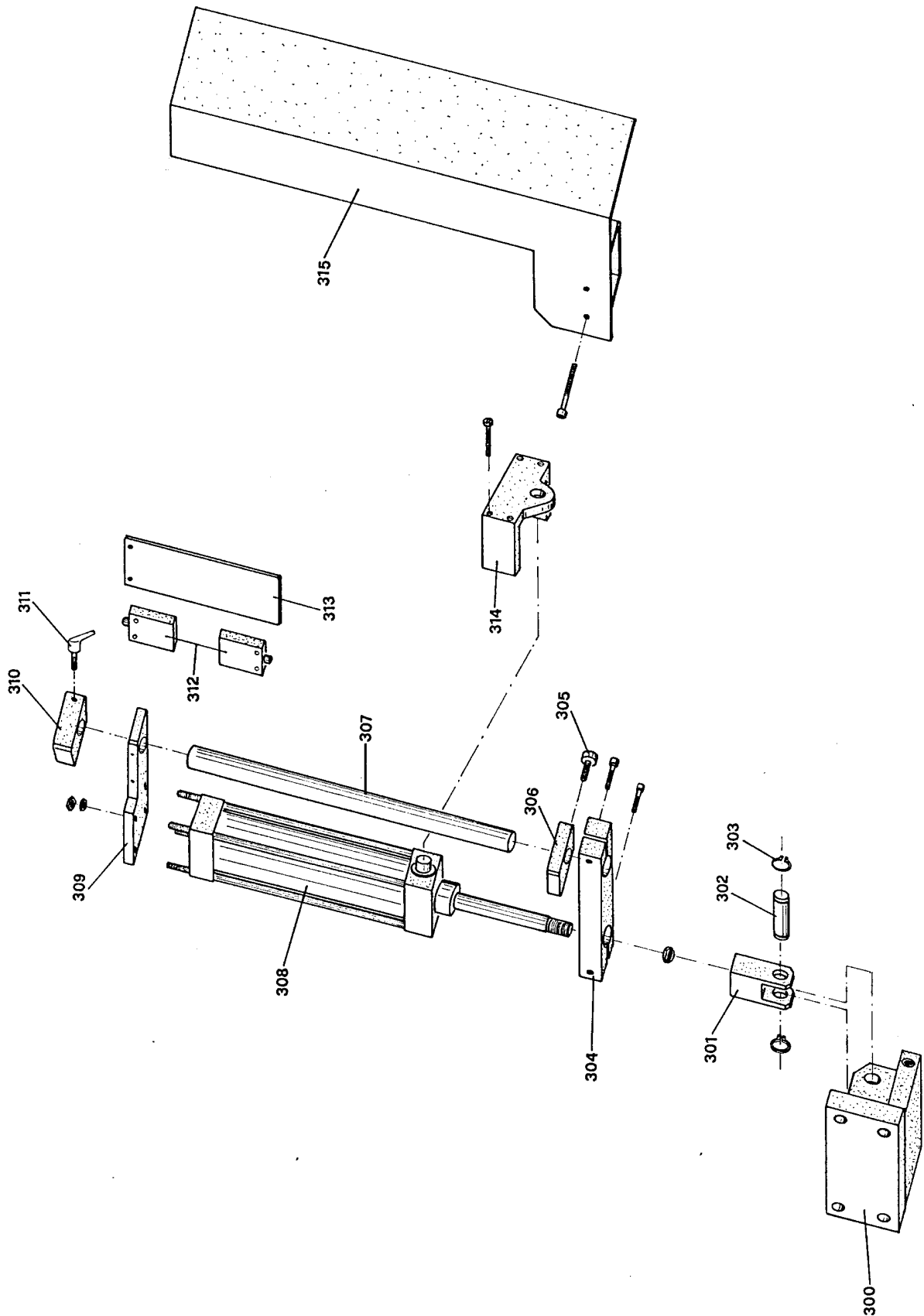


GRUPPO ARCO



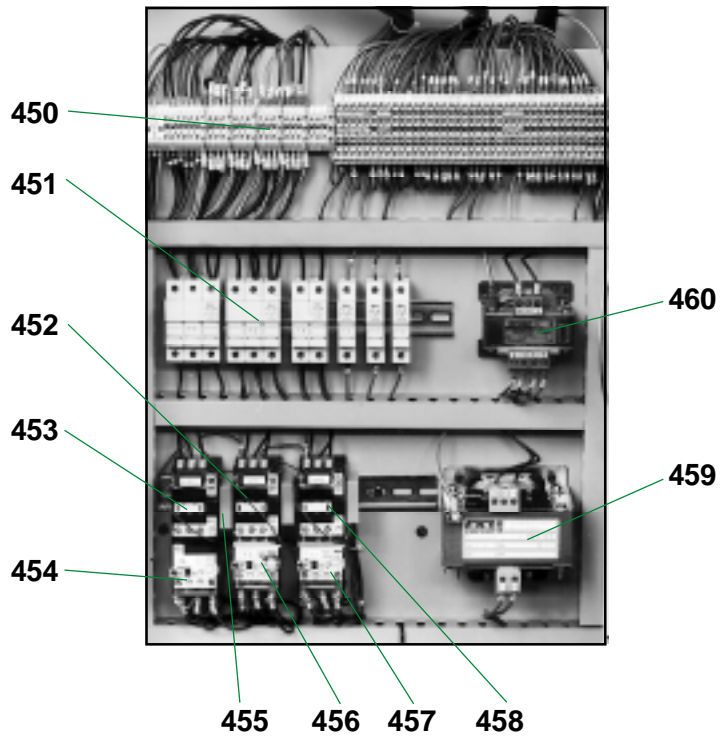


SAW-FRAME STROKE ASSEMBLY



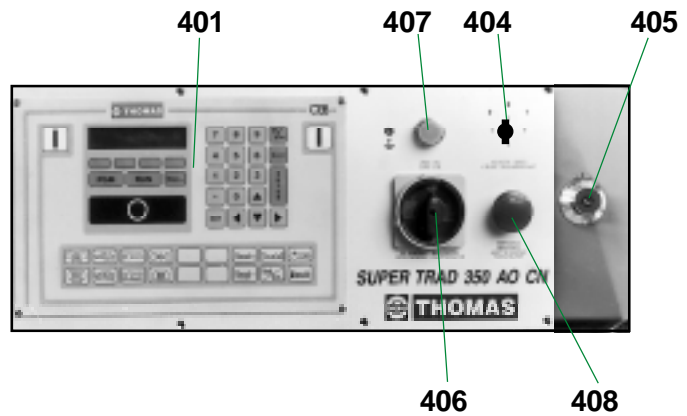
KEY

- 450 Terminal board
- 451 Fuse holder
- 452 KM1 remote control switch
- 453 KM2 remote control switch
- 454 FR1 thermal switch
- 455 Filter 3ph
- 456 FR2 thermal relay
- 457 FR3 thermal relay
- 458 KM3 remote control switch
- 459 TC1 transformer
- 460 TC2 transformer



KEY

- 401 Electronic instrument
- 404 Speed switch
- 405 Regulator
- 406 Main switch
- 407 Light push-button
- 408 Emergency push-button



KEY

- 501 Hydraulic unit motor
- 502 Saw-frame regulator
- 503 Feed carriage regulator
- 504 Pressure gauge

