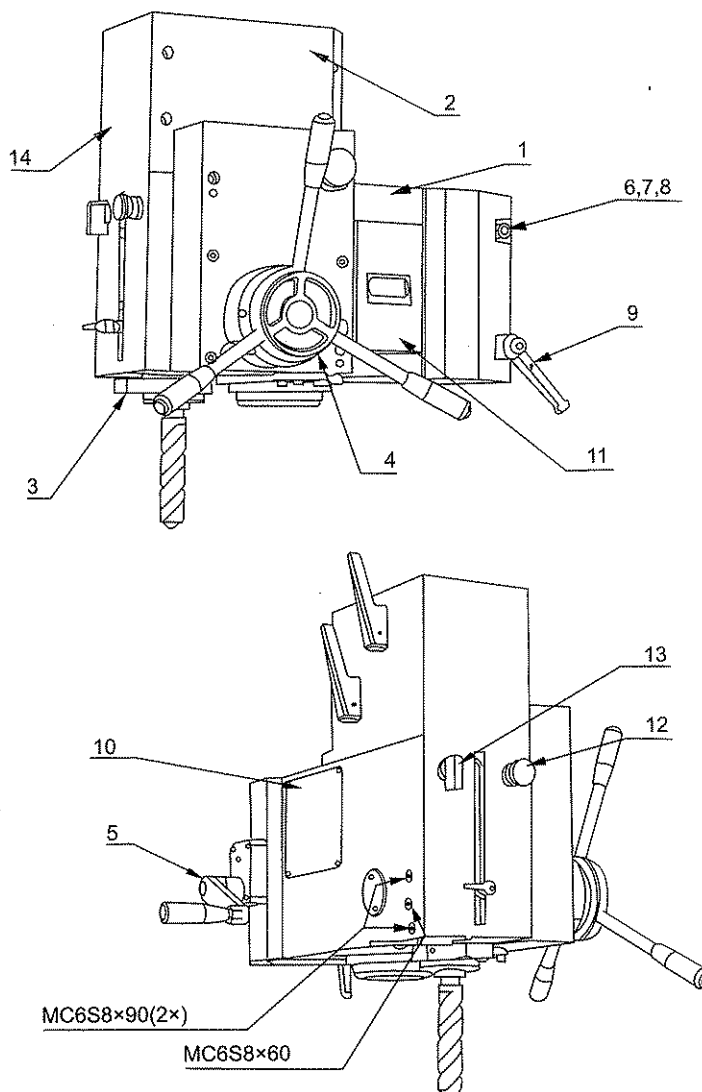
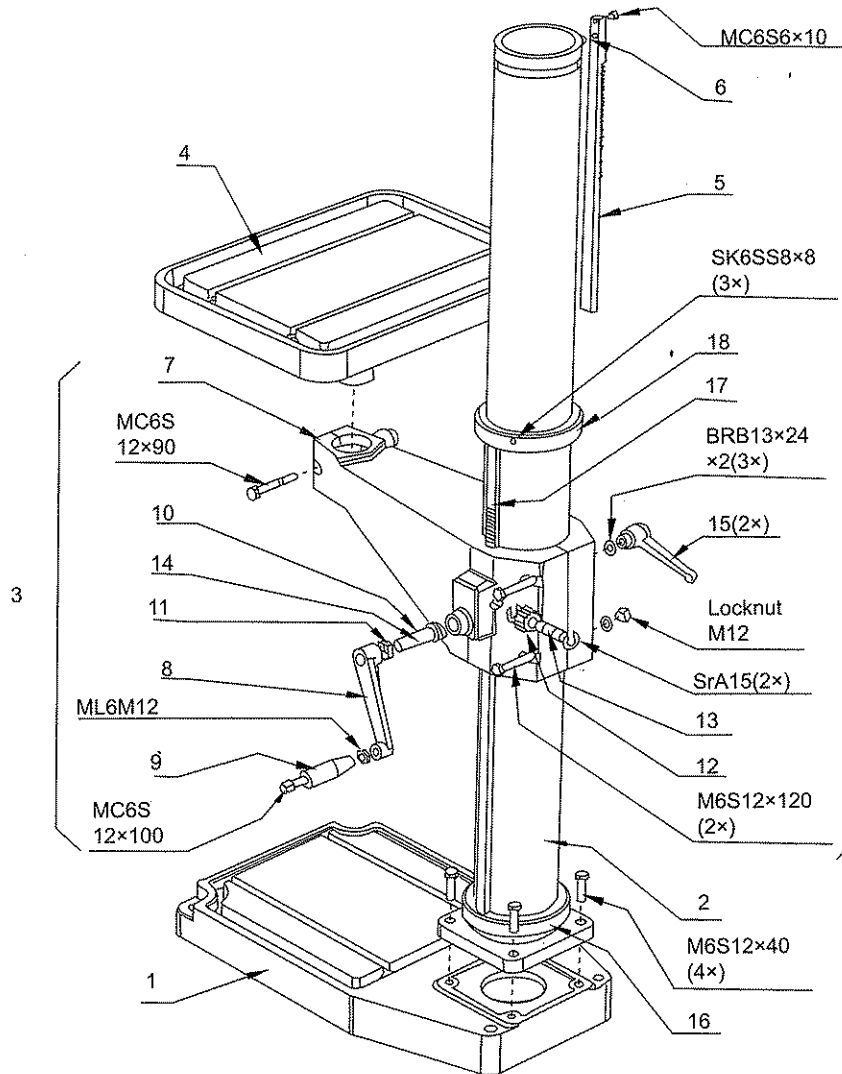


**Spare parts list A**



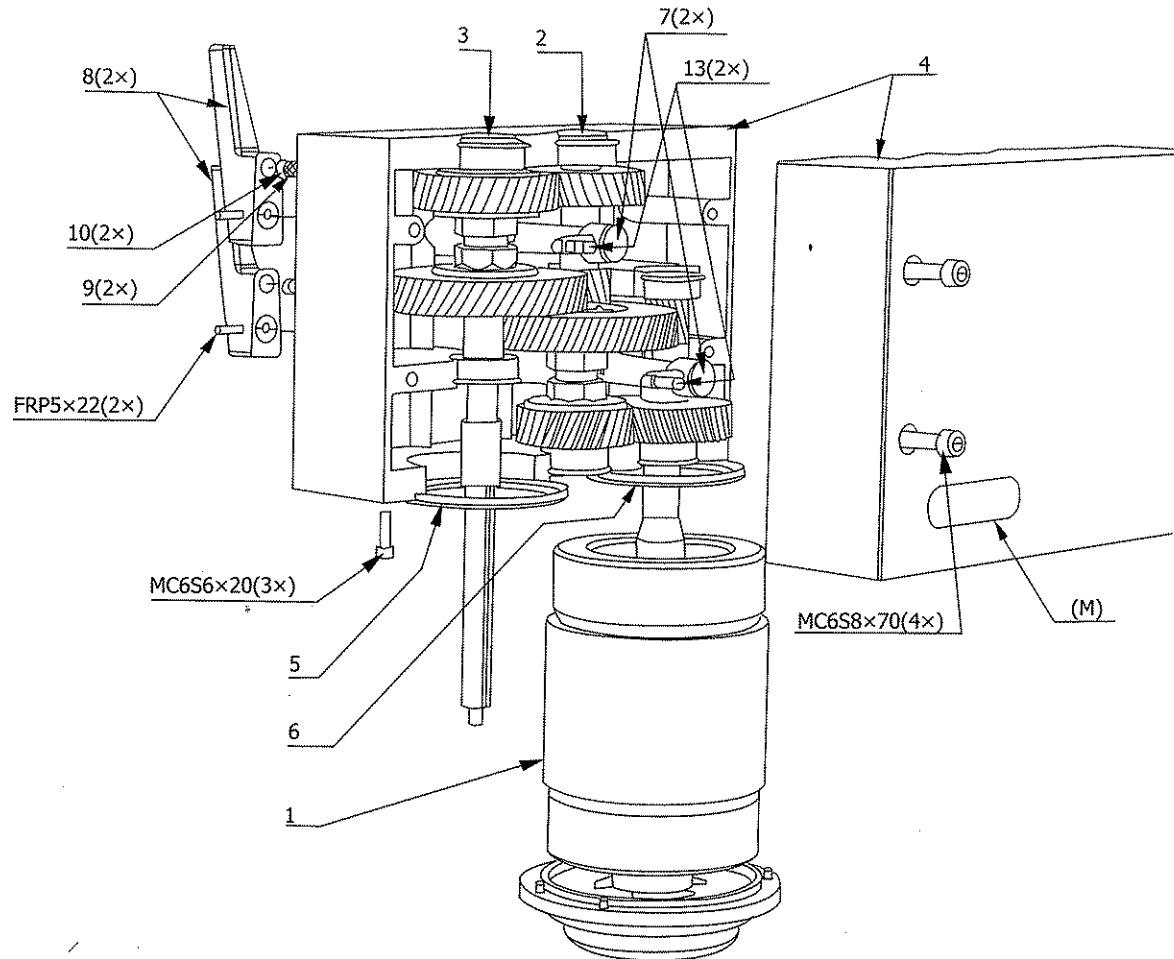
Pos	Art.No.	Description	Note
1	2X08622-7	Drill head	
2	2X08619-2	Gear box	
3	2X09617	Quill complete	
4	2X08514-6	Feed axle complete	
5	2X08720-1	Worm gear	
6	3S02558	Screw 12x130	2st
7	3M09122	Lock nut	
8	3B01178	Washer	
9	3R00014	Lock handle	
10	4L08589	Cover plate	
11	3E10605	Overload protection	
12	3E06125	Emergency stop	
13	3E06074	Reversing hand	
14	4L08660	Front plate	

## Spare parts list B



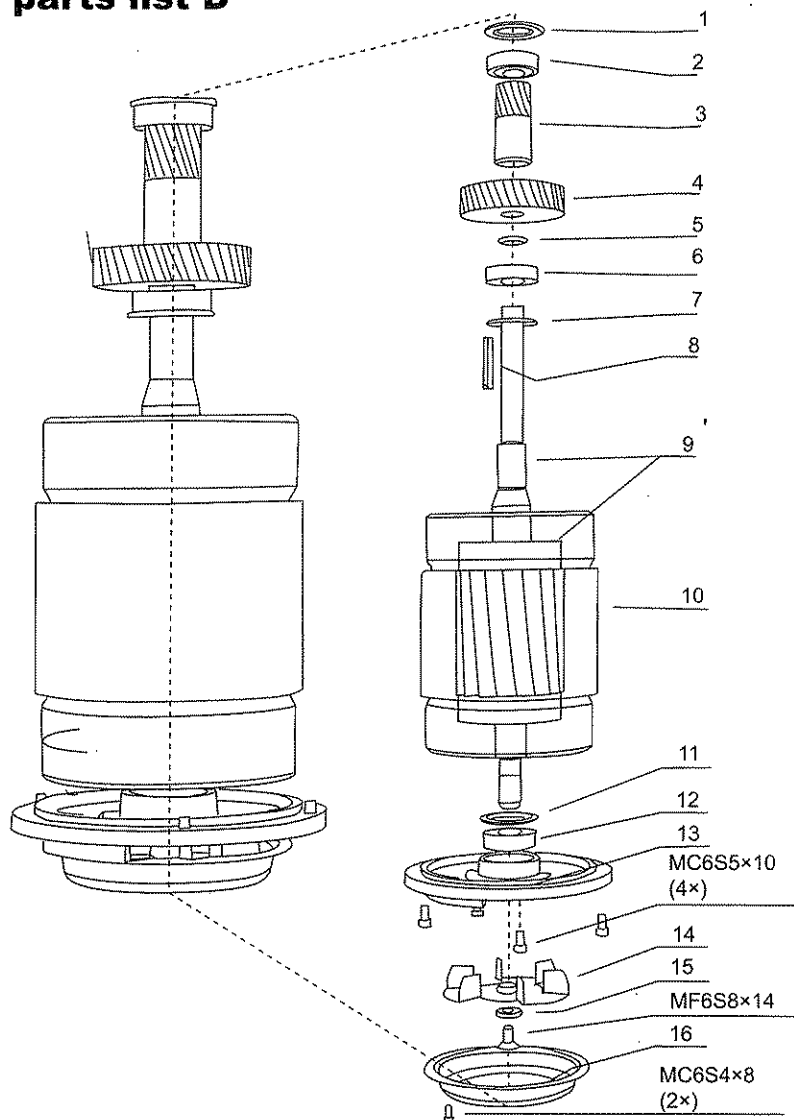
Pos	Art.No.	Description	Note
1	2W00501	Machined base plate	
2	4XS2123-1	Column	
3	2XS2100-1	Table arm complete	
4	2X00199	Table 500x400	
5	2X08445	Rack	
6	2T07146	Pin	
7	2YS2100	Table arm	
8	2RS1182	Crank handle	
9	3R01106	Handle	
10	2IS1203	Worm shaft	
11	3R00021	Washer	
12	2HS1201	Worm wheel	17Z
13	2AS1202	Shaft	
14	3S04444	Screw SK6SS 8x8	
15	3R00014	Lock handle	GN300S108-M12
16	2NS2119	Lower column ring	
17	2IS2120	Rack table arm	
18	2NS2121	Fan cover	

## Spare parts list C



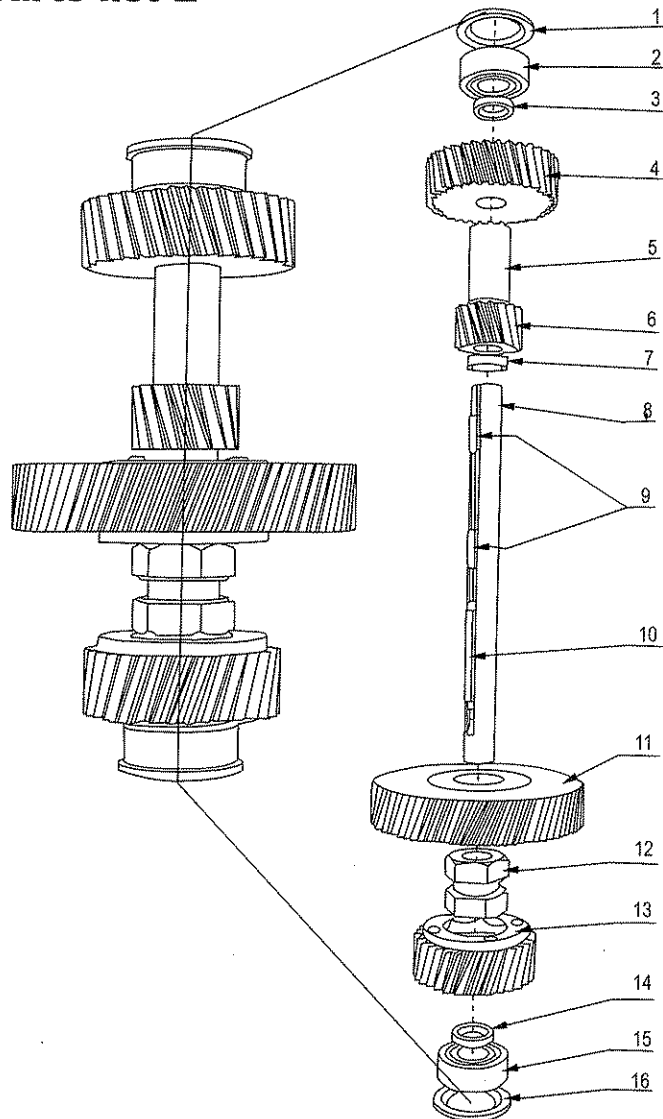
Pos	Art.No.	Description	Note
1	3E9024X	Stator	
2	2X08570	2:nd Shaft complete	
3	2X08581	3:rd Shaft complete	
4	2X08623-1	Gearbox housing	
5	4B00174	Guide ring	
6	4B00174	Guide ring	
7	2X08536	Selector shaft	2st
8	4RS0653-1	Gear lever	2st
9	4C02921	Spring	2st
10	3T04028	Steel ball RB8	2st
13	4T04168	Gear selector finger	2st

## Spare parts list D



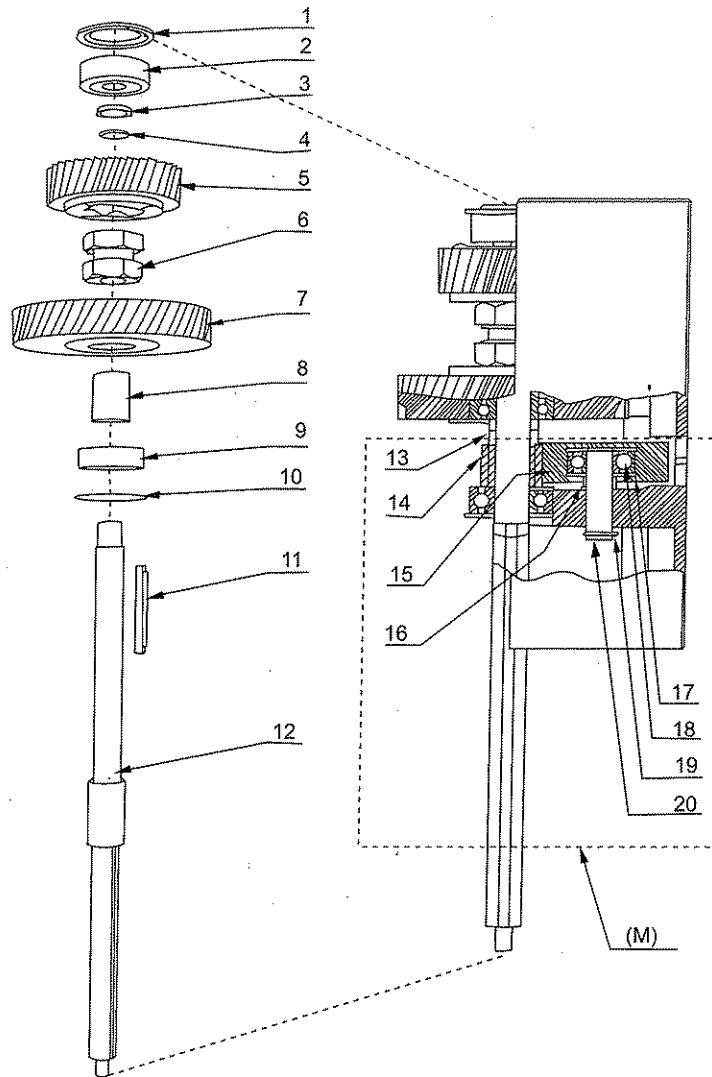
Pos	Art.No.	Description	Note
1	4B00138	Cover	
2	3L11003	Bearing 6203	
3	2H08562	Gear wheel 17-1.5	
4	2H08563	Gear wheel 40-2	
5	2D00008	Spacer 17x6,5	
6	3L11003	Bearing 6203	
7	4B00137	Cover	
8	3K01196	Key 5x5x42	
9	2X08666	Rotor with shaft	
10	3E9024X	Stator	
11	4F06203	Gearsehold washer	
12	3L11003	Bearing 6203	
13	2N01889-1	Bearing cover	
14	4B00175	Fan	
15	2B03449	Washer	
16	4B01890	Fan cover	

## Spare parts list E



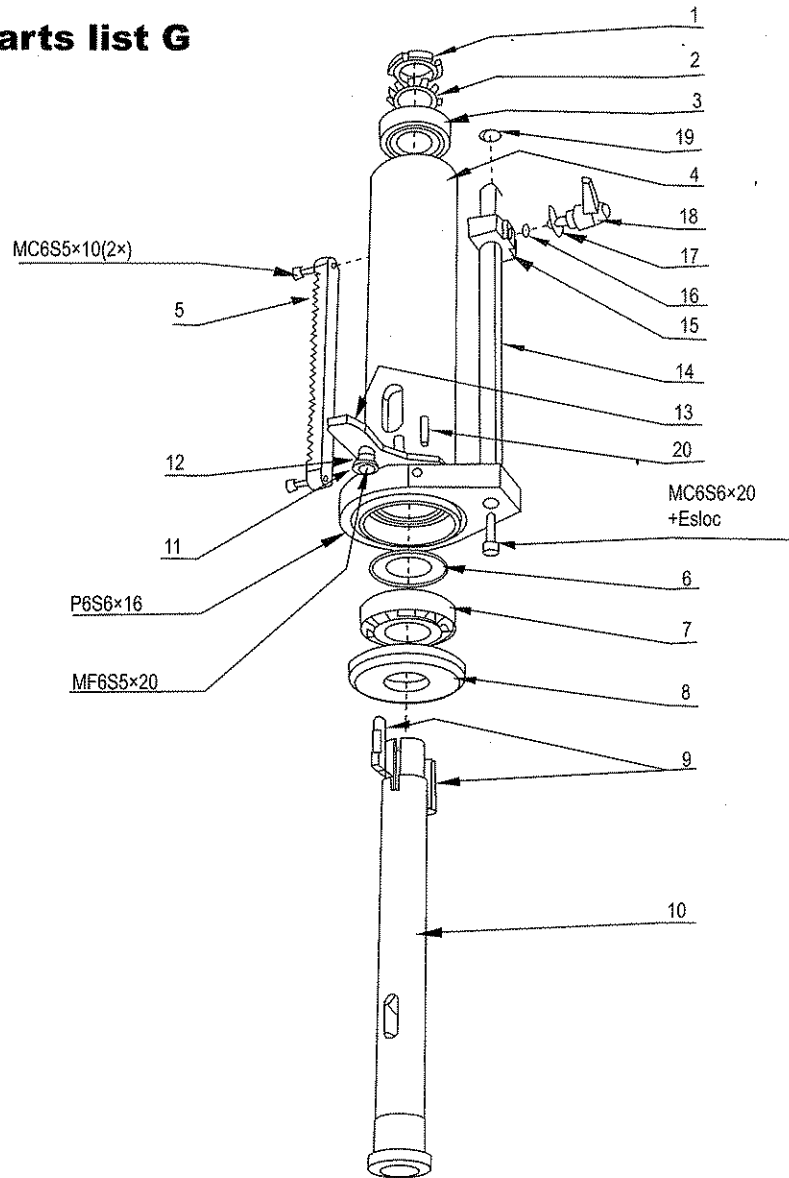
Pos	Art.No.	Description	Note
1	4B00138	Cover	
2	3L11003	Bearing 6203	
3	2K00002	Spacer 17x2.5	
4	2H08572	Gear wheel 34-2	
5	2D17038	Spacer 17x38	
6	2H08573	Gear wheel 15-2	
7	2D17004	Spacer 17x4	
8	2A04871	2:nd Shaft	
9	3K00187	Key 5x5x20	
10	2T06615	Key	
11	2X08574	Gear wheel 79-1.5	
12	2T04274	Clutch	
13	2X08574	Gear wheel 33-2	
14	2D00008	Spacer 17x6.5	
15	3L11003	Bearing 6203	
16	4B00138	Cover	

## Spare parts list F



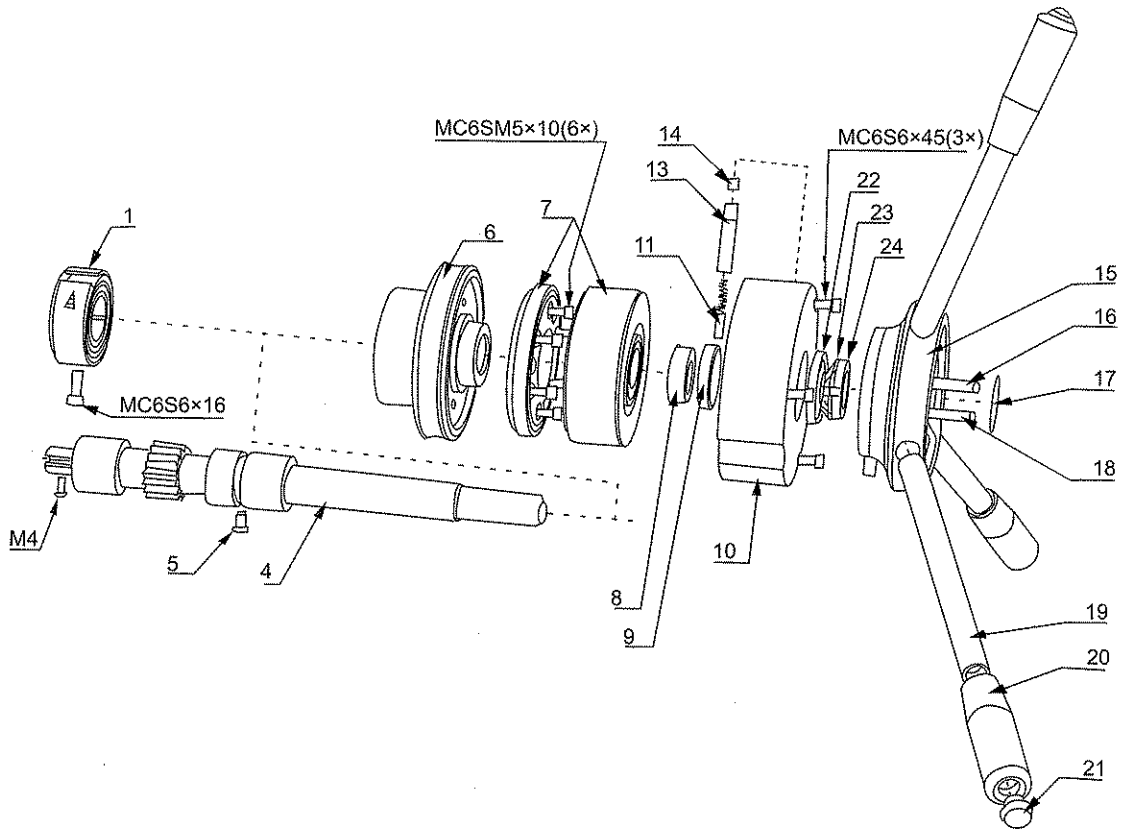
Pos	Art.No.	Description	Note
1	4B08584	Cover	
2	3L16002	Bearing 6302	
3	3B01184	Ring 15x22x1	
4	3C01117	Circlip SGA 15	
5	2X08582	Gear wheel compl.	39-2
6	2T04254	Clutch	
7	2X08583	Gear wheel compl.	58-2
8	2D00007	Spacer 17x19	
9	3L11003	Bearing 6203	
10	4B00137	Cover	
11	2T06615	Key	
12	2A08531	Spindle shaft	
13	2D17019	Spacer 17x19	
14	2HSB7501	Gear wheel 18-1.5	
15	2X08558	Gear compl. feed	
16	2D12017	Spacer 12x17	
17	3C02131	Circlip SGH 32	2 st
18	3L13001	Bearing 52012Z	
19	3C01114	Circlip SGA 12	
20	2A08548	Shaft	

## Spare parts list G



Pos	Art.No.	Description	Note
1	3M06005	Nut KM 25	
2	4B00155	Locking washer	
3	3L11005	Bearing 6205	
4	2G08529	Quill A30	
5	2108554	Rack	
6	4B03769	Washer	
7	3L50007	Taper roll bearing	
8	2TS2019-1	Bearing cover	
9	2T08518	Key for spindle	2 st
10	2A08617	Spindle MT4	
11	3B06003	Washer 10.5x18x0.8	
12	2T08593	Spacer	
13	4T08547	Drill ejector lever	
14	2A08756	Depth gauge rod	
15	2T08759	Stop	
16	4CSB140046	Spring	
17	4L08626	Indicator	
18	3R00002	Handle 43-M6x16	
19	3C03115	Circlip RS 10	
20	3P12308	Pin FRP 5x20	

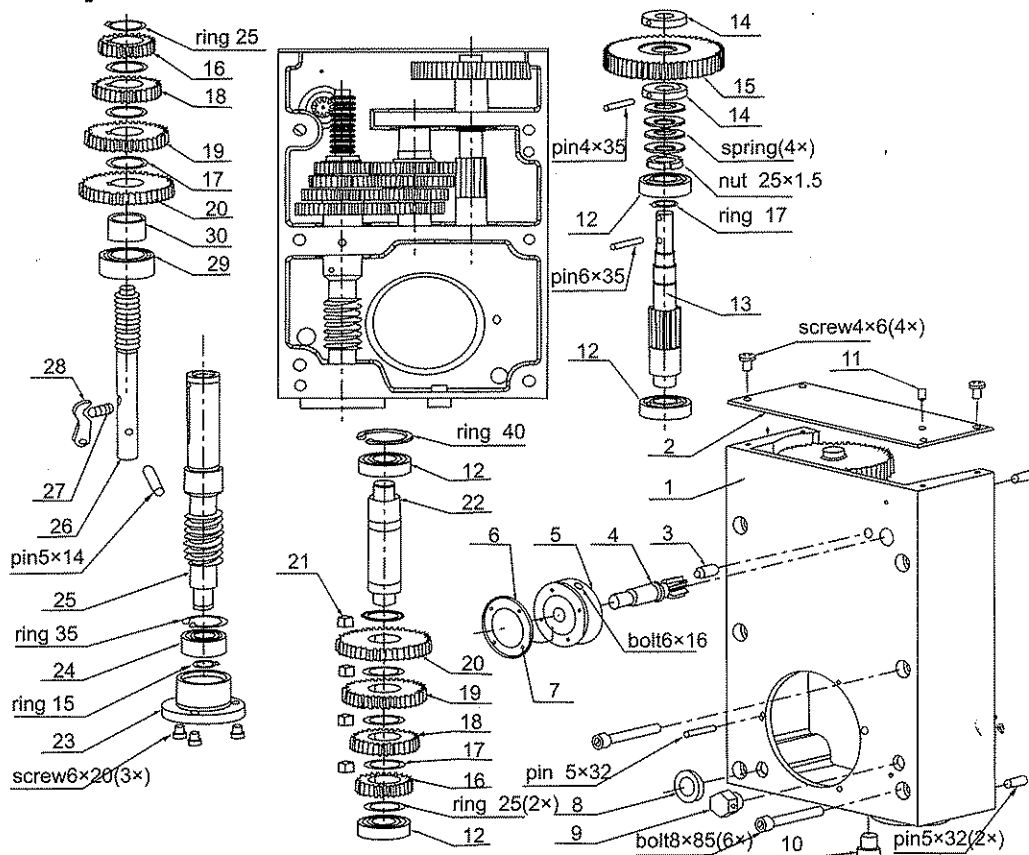
## Spare parts list H



Pos	Art.No.	Description	Note
1	4XS2150	Return spring cassette	
4	2108673	Feed shaft	
5	4S04211	Guide screw	
6	2108636	Worm wheel	
7	3E20101	Magnetic clutch	
8	2E08675	Ring isolation	
9	2E08674	Ring	
10	2N08676	Magnetic clutch cover	
11	3E07003	Copper graphite brush	
13	2E08662	Brush holder	
14	3S35360	Screw polyamide	
15	2T08662	Handle holder	
16	3K01238	Key RK 6x6x40	
17	4L02504	Cover plate	
18	3K01303	Key 8x38	
19	2E08668	Feed handle	3 st
20	3R04007	Handle	3 st
21	2X20037	Pushbutton	3 st
22	2D08677	Handle holder spacer	
23	3B07005	Locking washer	
24	3M06005	Nut KM 25	



# Spare parts list I



Pos	Art.No.	Description	Note
1	T283001	Feed box	
2	T282008	Feedbox cover	
3	T283000-1	Screw	10x16
4	T283019	Change speed shaft	
5	T283020	Change speed handle	
6	T284008	Feed plate	
7	T283000-2	Rivet	4 st
8	T283000-3	Oil view	
9	BS230V3012	Fill oil view	
10	T283000-4	Empty oil screw	G1/4
11	T283000-5	Oil cup	
12	T283000-6	Bearing	4 st
13	T283010	Shaft	
14	T353002	Sleeve	
15	T353003	Gear wheel 60-1.5	2 st
16	T283003	Gear wheel 27-1.5	2 st
17	T283006	Washer	7 st
18	T283004	Gear wheel 33-1.5	2 st
19	T283005	Gear wheel 41-1.5	2 st
20	T283007	Gear wheel 47-1.5	2 st
21	T283000-7	Key 8x7	8 st
22	T283011	Shaft	
23	T283021	Bottom sleeve	
24	T283000-8	Bearing	
25	T283018	Wormshaft feed box	
26	T283002	Change speed pass shaft	
27	T283015	Spring	
28	T283016	Especial key	
29	T283000-9	Bearing	
30	T283017	Sleeve	