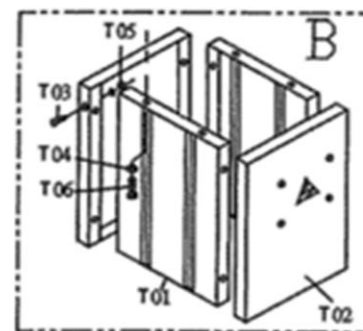
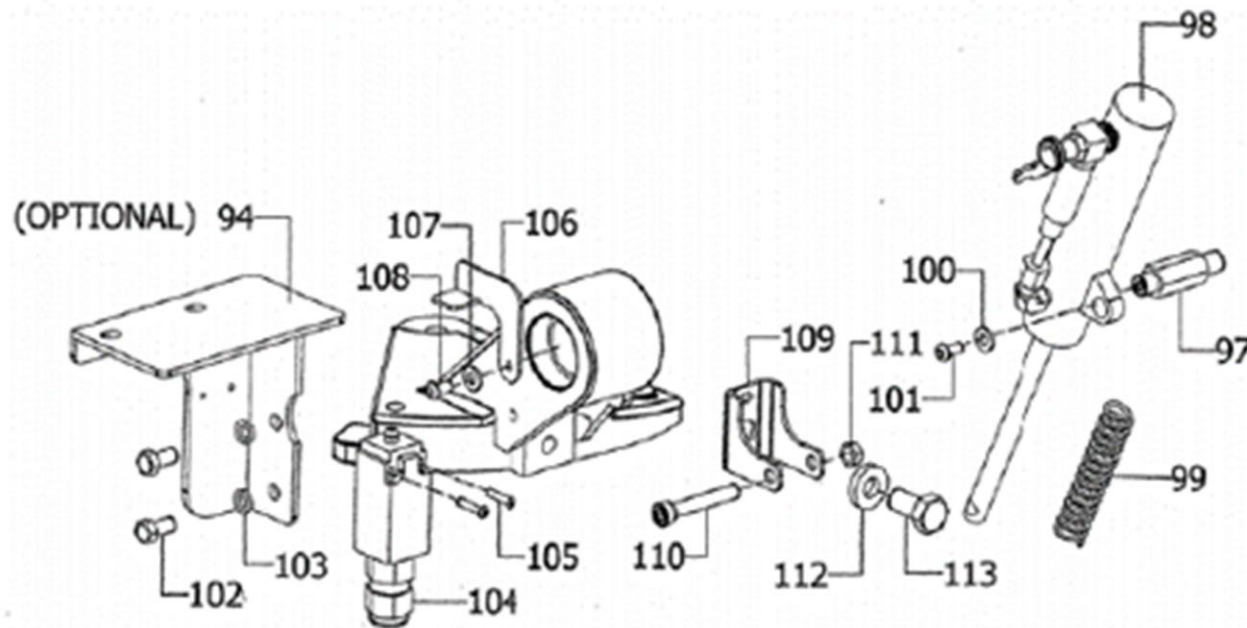


Parts list

ref. no.	parts name	Qty
T01	standleg(front & rear)	2
T02	standleg(left & right)	2
T03	square neck bolt	8
T04	washer	12
T05	Hex nut	8
T06	Hex.Bolt	4





CYLINDER PARTS LIST

<u>NO</u>	<u>PARTS NAME</u>	<u>Qty</u>
94	PLATE	1
97	SCREW	1
98	CYLINDER	1
99	SPRING	1
100	WASHER	1
101	SCREW	1
104	MICRO SWITCH	1
105	SCREW	2
106	TOUCH	1
107	WASHER	1
108	SCREW	1
109	BLOCK	1
110	SCREW	1
111	NUT	1
112	WASHER	1
113	SCREW	1
114	PLATE	1