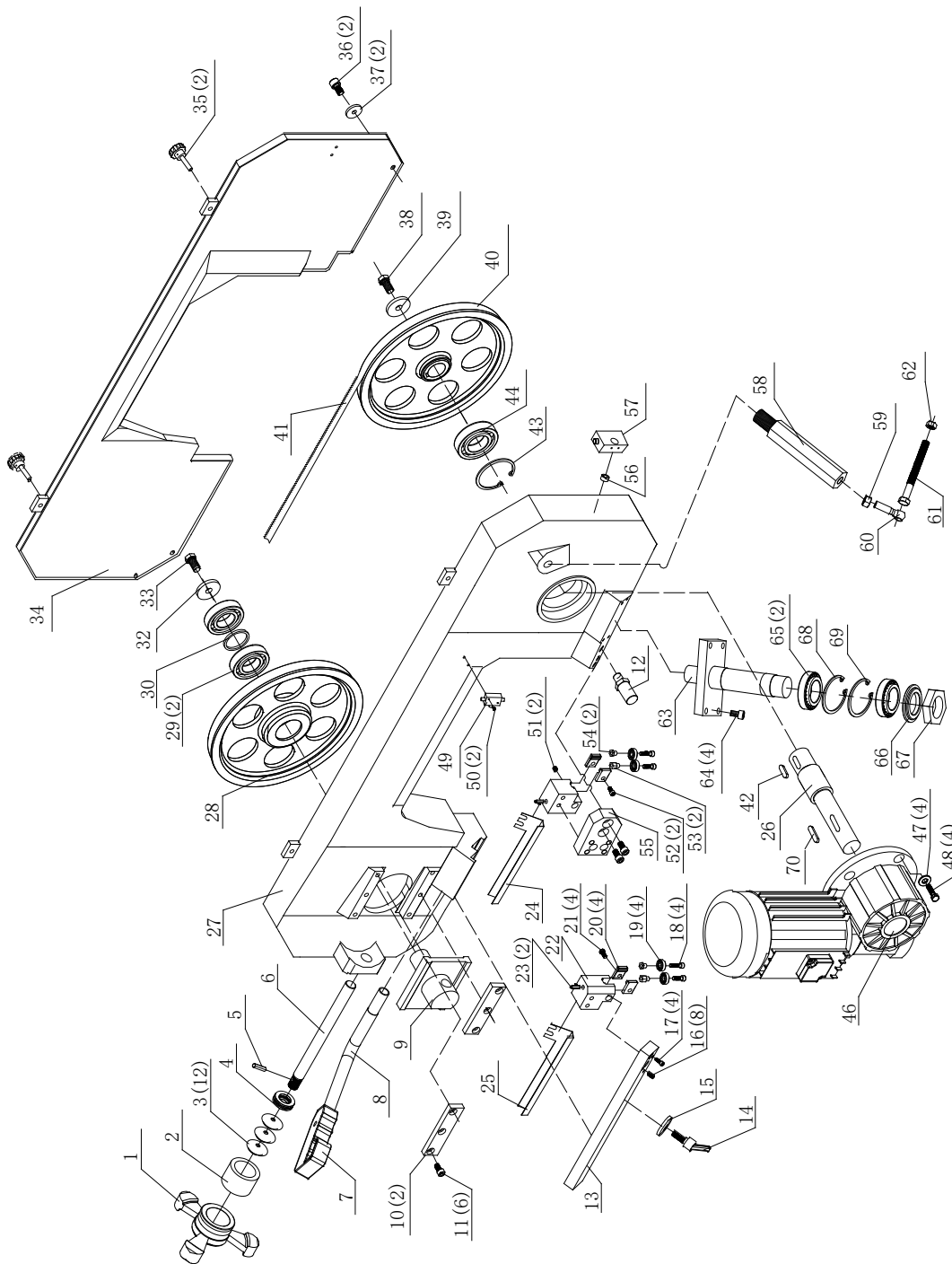
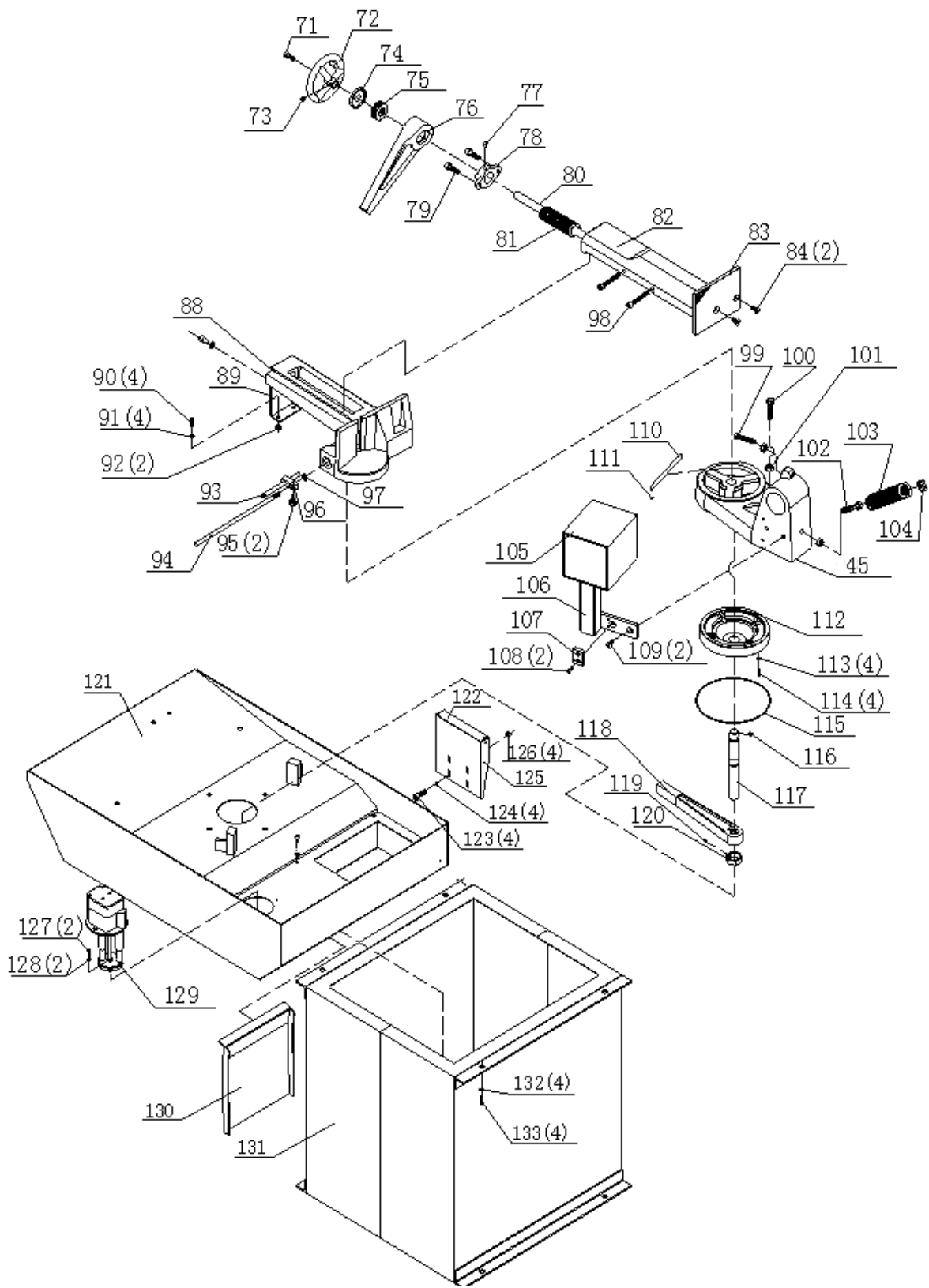


ONDERDEEL TEKENING LZ215





ONDERDELEN LIJST

Item	Description	Qty	Item	Description	Qty
1	Handle wheel Ø170XØ18	1	41	Blade	1
2	Bushing	1	42	Key 8X25	1
3	Spring 40x20.5x2	12	43	Circlip 62	1
4	Bearing AXK2035	1	44	Bearing 6206-2Z	1
5	Pin 8X35	1	45	Rotation body	1
6	Tension shaft	1	46	Motor with gearbox	1
7	Micro switch	1	47	Washer	4
8	Knob rod	1	48	Bolt M10X25	4
9	Sliding seat	1	49	Cool the water divider	1
10	Pressing plate	2	50	Screw M4X25	2
11	Screw M8X16	6	51	Screw M8X10	2
12	Limit shaft	1	52	Screw M8X10	2
13	Adjustable bracket	1	53	Eccentric sleeve	2
14	Adjustable fixing handle	1	54	Eccentric sleeve	2
15	Pressure pad	1	55	Connecting plate	1
16	Screw M6X16	8	56	Travel switch sleeve	1
17	Screw M8X25	4	57	Electromagnetic switch	1
18	Screw M6X30	4	58	Spring fixed rod	1
19	Bearing 608-2Z	4	59	Nut M10	1
20	Holding block	4	60	Bolt M12X50	1
21	Bolt M8X14	4	61	Bolt M10X20	1
22	Rear adjusting seat	1	62	Nut M12	1
23	1/8" valve	2	63	Rotation shaft	1
24	Protection plate	1	64	Screw M8X20	4
25	Protection plate	1	65	Bearing 32006	2
26	Output shaft	1	66	Dust cover for bearing	1
27	Saw bow	1	67	Round nut	1
28	Contact wheel	1	68	Circlip 55	1
29	Bearing 6006-2Z	2	69	Circlip 55	1
30	Bushing	1	70	Flat key 8X35	1
32	Mat	1	71	Screw M8X25	1
33	Bolt M12X25	1	72	Handle wheel Ø125XØ18	1
34	Protective cover of saw bow	1	73	Set screw M6X10	1
35	Handle M6X12	2	74	End cover	1
36	Screw M6X10	2	75	Bearing AXK3047	1
37	Washer M6	2	76	Locking handle	1
38	Bolt M10X25	1	77	Oil cup	1
39	Mat	1	78	Locking block	1

Item	Description	Qty	Item	Description	Qty
79	Screw M8X20	2	108	Screw M5X16	2
80	Lead screw	1	109	Screw M8X20	2
81	Spring	1	110	Scale	1
82	Upper vice	1	111	Pointer	1
83	Vice plate	1	112	Fixed seat	1
84	Screw M8X20	2	113	Washer	4
88	Bottom vice	1	114	Screw M10X25	4
89	Support	1	115	O-ring 3.55x288	1
90	Screw M8X16	4	116	Screw M6X10	1
91	Washer 8	4	117	Connect shaft	1
92	Nut M8	2	118	Locking handle	1
93	Stop shaft	1	119	Nut	1
94	Stop rod	1	120	Screw M8X10	1
95	Handle M8X16	2	121	Base	1
96	Stop block	1	122	Sleeve components	1
97	Thin nut M16	1	123	Screw M8X20	4
98	Screw M6X90	2	124	Washer M8	4
99	Bolt M8X50	1	125	Support	1
100	Bolt M10X40	1	126	Nut M8	4
101	Nut M10	1	127	Screw M6X12	2
102	Bolt M10X40	1	128	Washer	2
103	Tension Spring	1	129	Coolant pump	1
104	Spiral Block	1	130	Stock pan	1
105	Electric box	1	131	Stand	1
106	Support	1	132	Washer	4
107	Travel switch pad	1	133	Screw M10X20	4