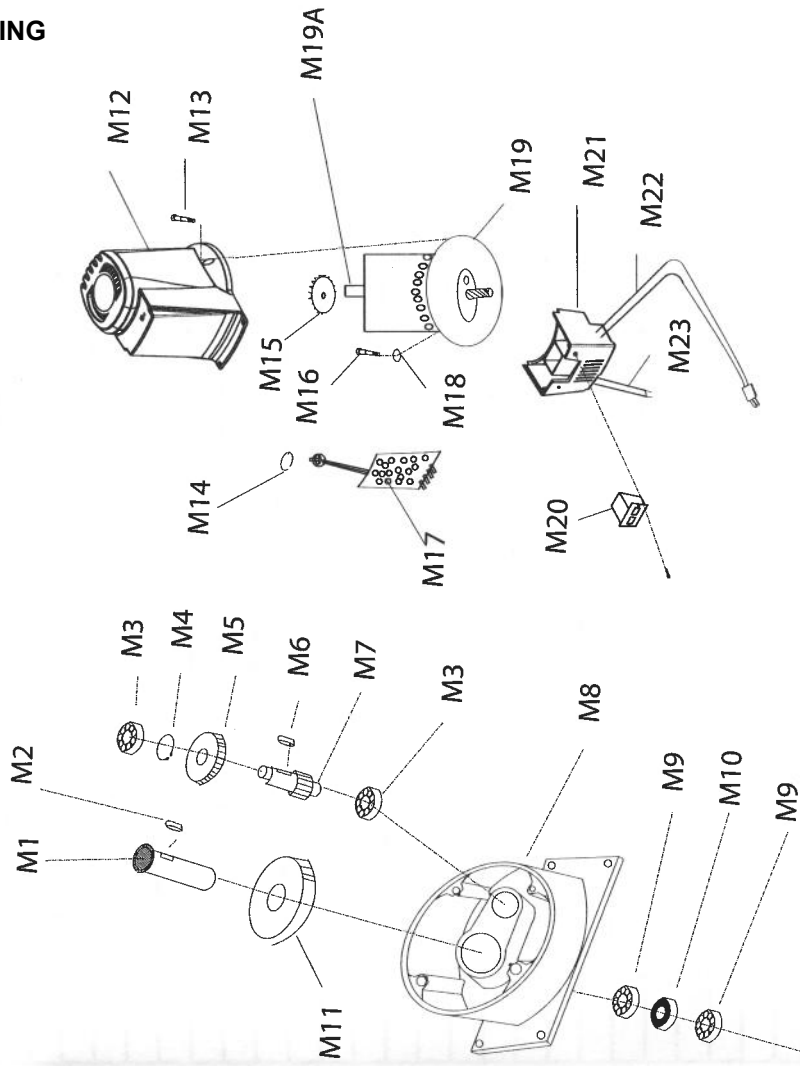
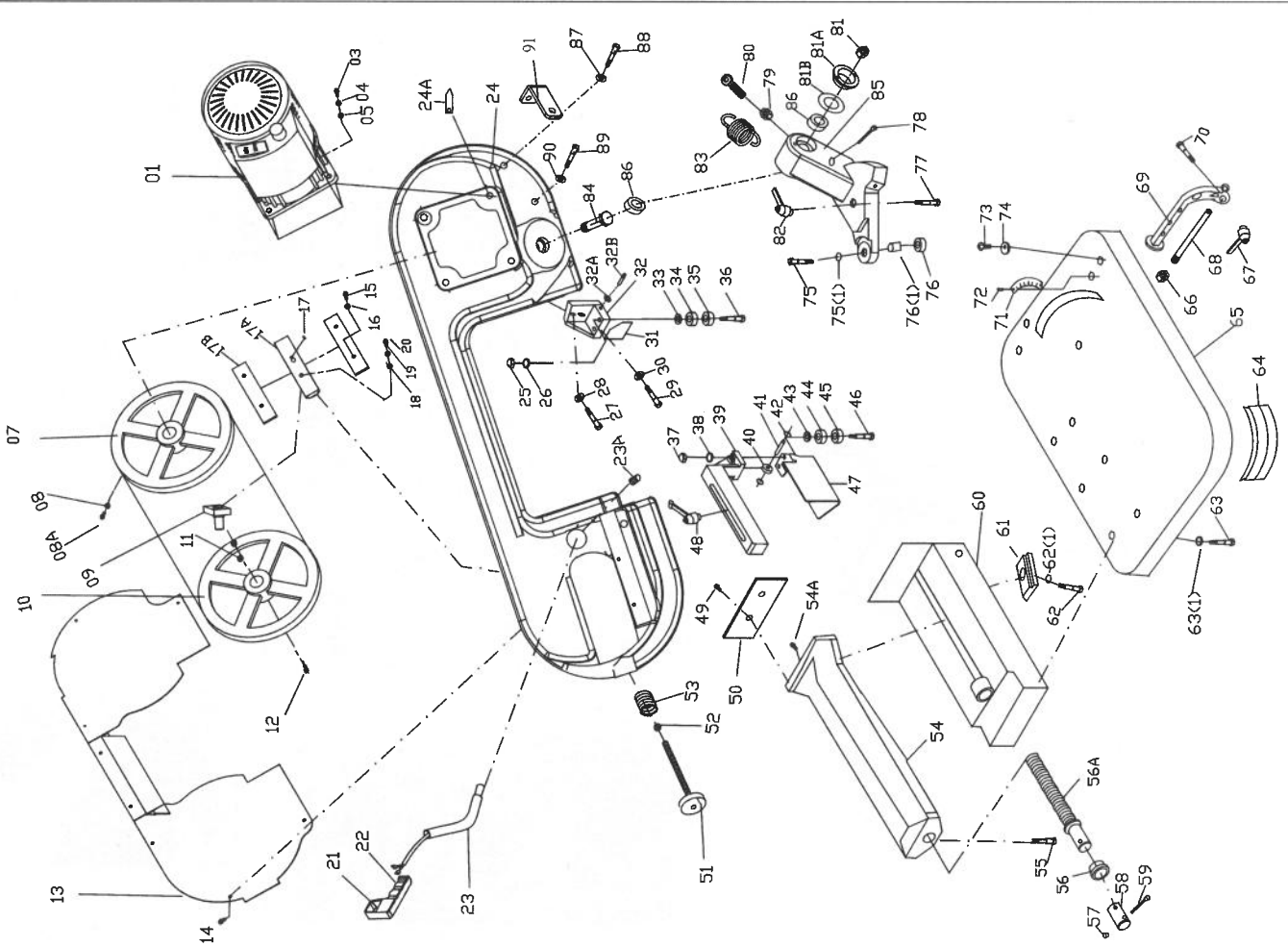


TLZ125V



125 Explosion illustration



ONDERDELEN LIJST

TLZ125V

125 parts list								
NO	Q'ty	Description	NO	Q'ty	Description	NO	Q'ty	Description
1	1	MOTOR	39	1	Arm	76(1)	1	Ring
3	4	Screw	40	2	Bearing 625	77	1	Screw
4	4	Spring washer	41	2	Pin	78	1	Locking pin
5	4	Washer	42	2	Washer	79	1	Nut
7	1	Motor flywheel	43	2	Washer	80	1	Spring holder
8	1	Washer M6	44	2	Bearing 607	81	1	Bearing nut
8A	1	Screw	45	2	Bearing 607	81A	1	Bushing
9	1	Dog pin	46	2	Bias axis	81B	1	Bearing cover
10	1	Return flywheel	47	1	L.blade guard	82	1	Bolt
11	2	Bearing 6202ZZ	48	1	Bolt	83	1	Spring
12	1	Screw	49	1	Screw	84	1	Axis
13	1	Body cover	50	1	Vice plate	85	1	Miter plate
14	4	Screw	51	1	Handle wheel	86	2	Bearing
15	4	Screw	52	1	washer	87	1	washer
16	4	Washer	53	8	washer	88	1	Screw
17	1	Set screw	54	1	Vice	89	1	Screw
17A	1	Blade Tension Sliding Block	54A	1	Screw	90	1	Nut
17B	2	Slide	55	1	Screw	91	1	Spring Plate
18	4	washer	56	1	Bushing	M1	1	Main shaft
19	4	Spring washer	56A	1	Acme Screw	M2	1	Key
20	4	Screw	57	2	Knob	M3	2	Bearing
21	1	Limit switch	58	1	Shaft Bushing	M4	1	C-ring
22	1	Handle	59	1	Handle Rod	M5	1	Gear
23	1	Tube	60	1	Fence base	M6	1	Key
23A	1	Screw	61	1	Locking seat	M7	1	Gear shaft
24	1	Body frame	62	1	Screw	M8	1	Gear box
24A	4	Plate	62(1)	1	Washer	M9	2	Bearing
25	2	NUT	63	6	Screw	M10	1	Oil seal
26	2	Washer	63(1)	1	Washer	M11	1	Gear
27	2	Screw	64	4	Rubber pad	M12	1	UP cover
28	2	Washer	65	1	Base	M13	1	Screw
29	1	Screw	66	1	Nut	M14	1	Nut
30	1	Washer	67	1	Bolt	M15	1	Fan
31	1	Chip fence	68	1	Rod stock stop	M16	1	Screw
32	1	Fixed blade guide plate	69	1	Stop Bracket	M17	1	Electrical board
32A	1	Bearing 625	70	1	Screw	M18	1	Oil seal
32B	1	Pin	71	1	Scale	M19	1	Motor
33	2	Washer	72	1	Screw	M19A	1	Motor Shaft
34	2	Bearing 607	73	2	Screw	M20	1	Switch
35	2	Bearing 607	74	2	Washer	M21	1	Down cover
36	2	Bias axis	75	1	Screw	M22	1	Plug
37	2	NUT	75(1)	1	Washer	M23	1	Handel wire
38	2	Washer	76	1	Nut			