

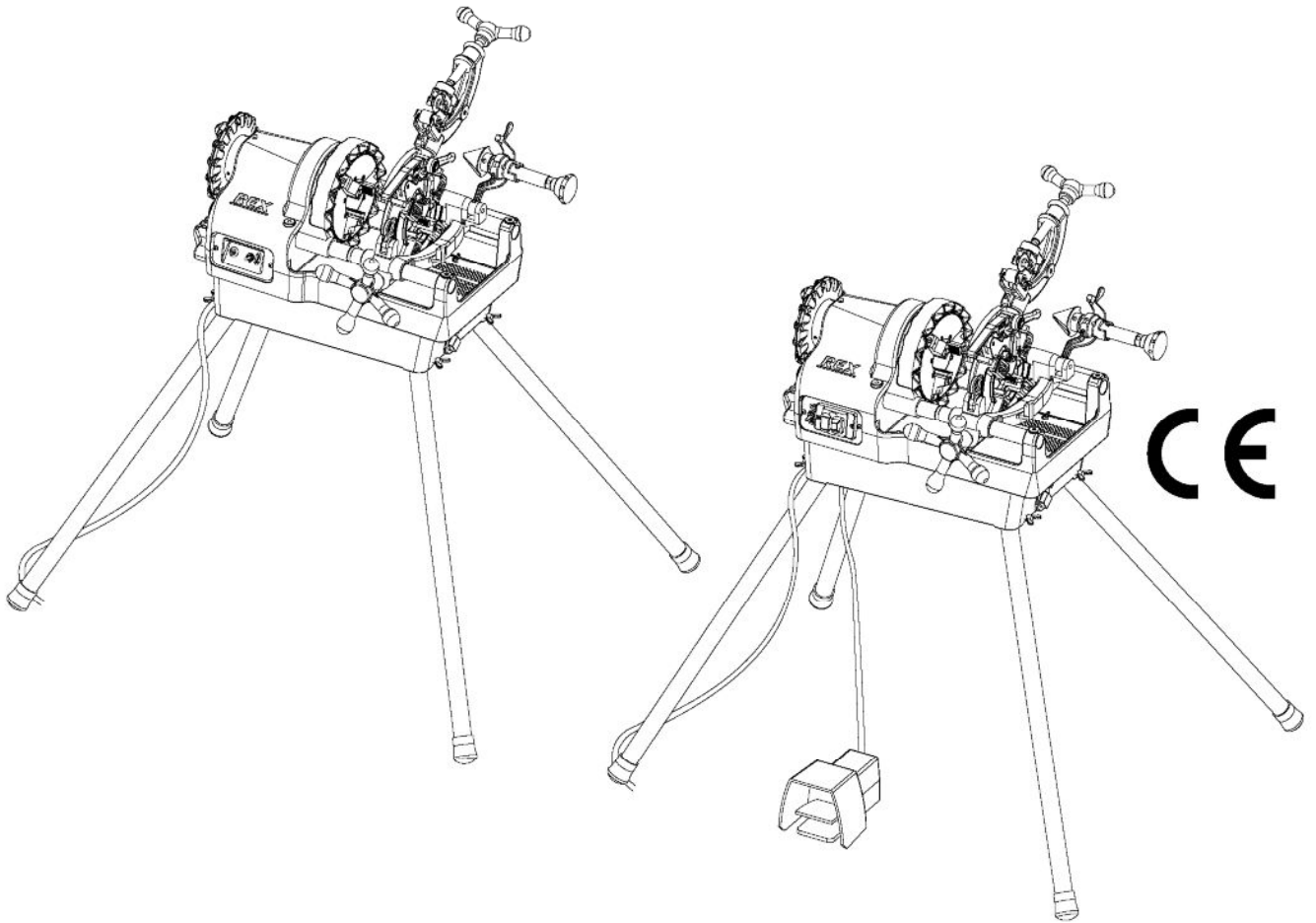
REX

PIPE THREADING MACHINE

NP50AV/NR50AV

PARTS LIST

As of November 2009

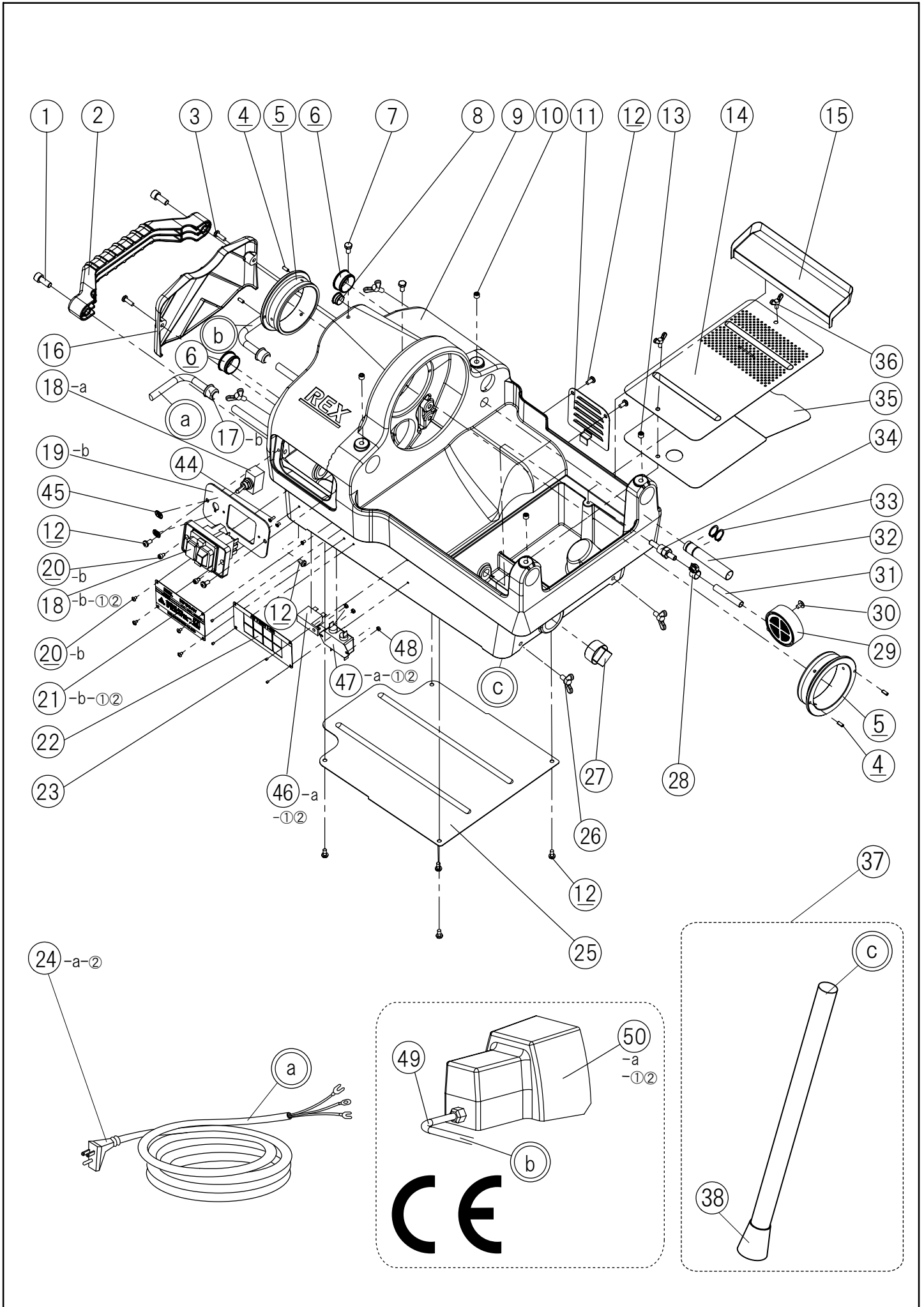


CONTENTS

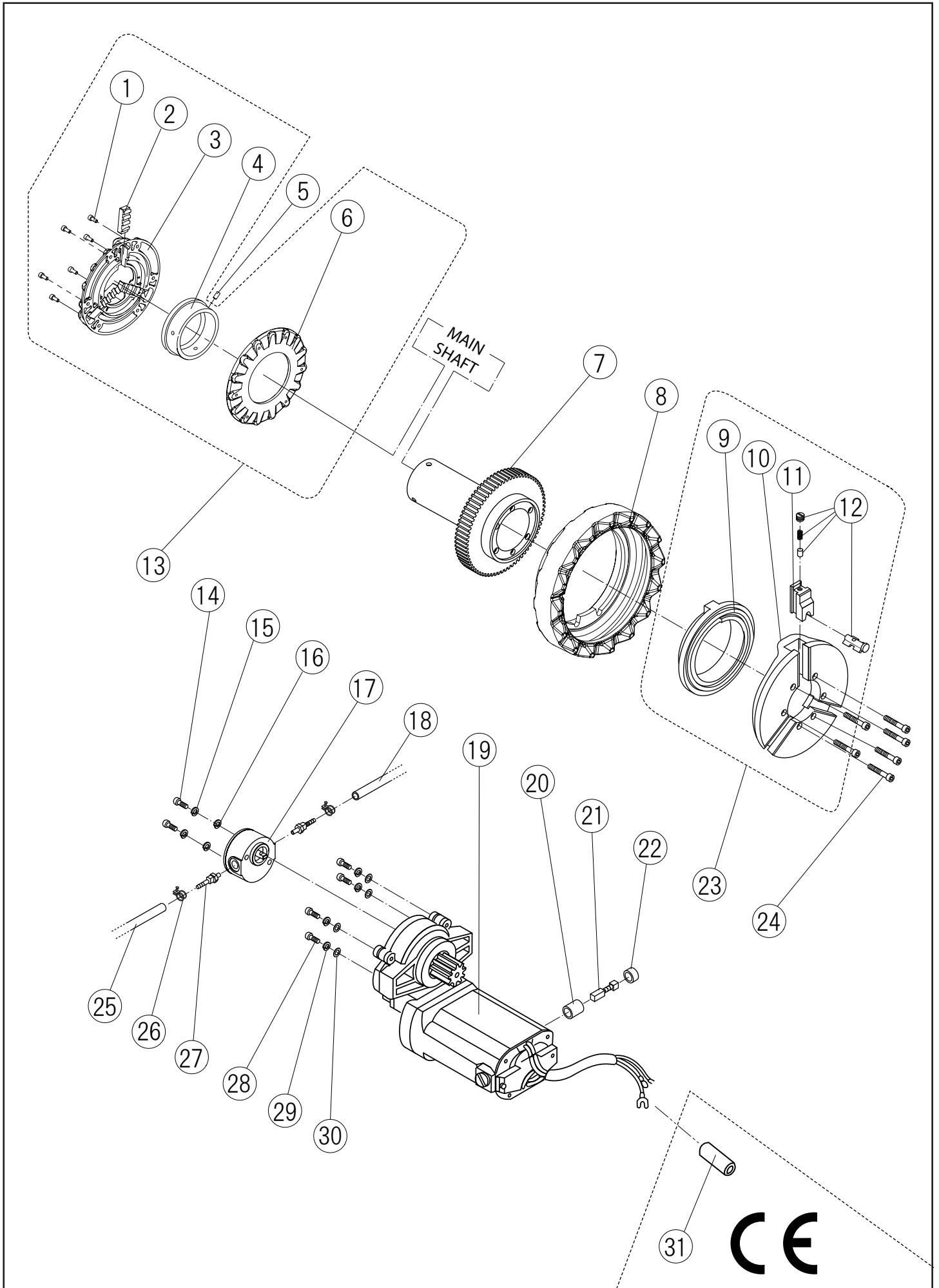
1. BASE
BASE (CE)
2. MAIN SHAFT, MOTOR (*Include CE)
3. MOTOR ASSEMBLY
4. CARRIAGE
5. CUTTER, REAMER

REX

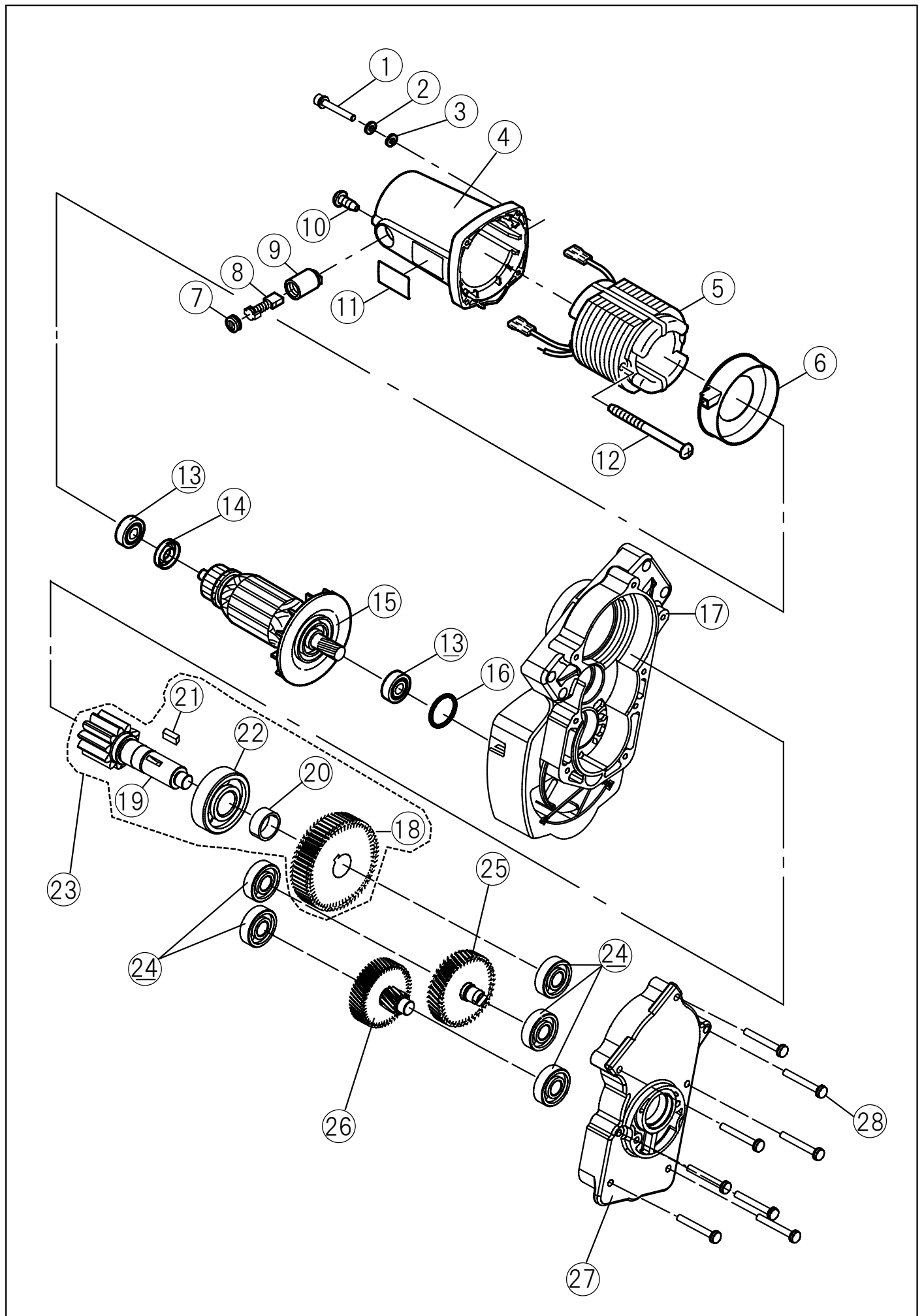
NP50A / NR50A (CE) - 1. BASE



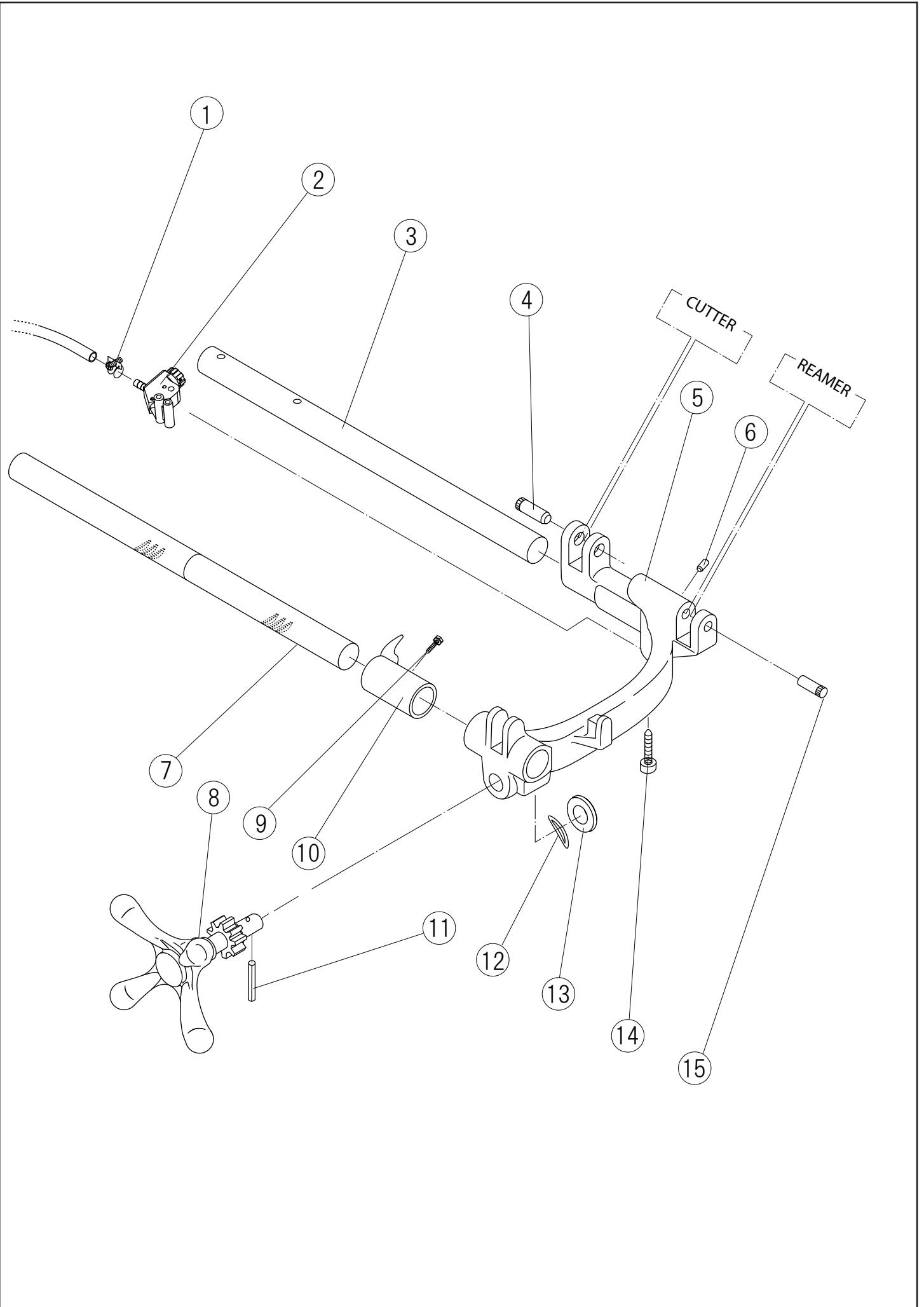
NP50A / NR50A (*Include CE) - 2. MAIN SHAFT, MOTOR



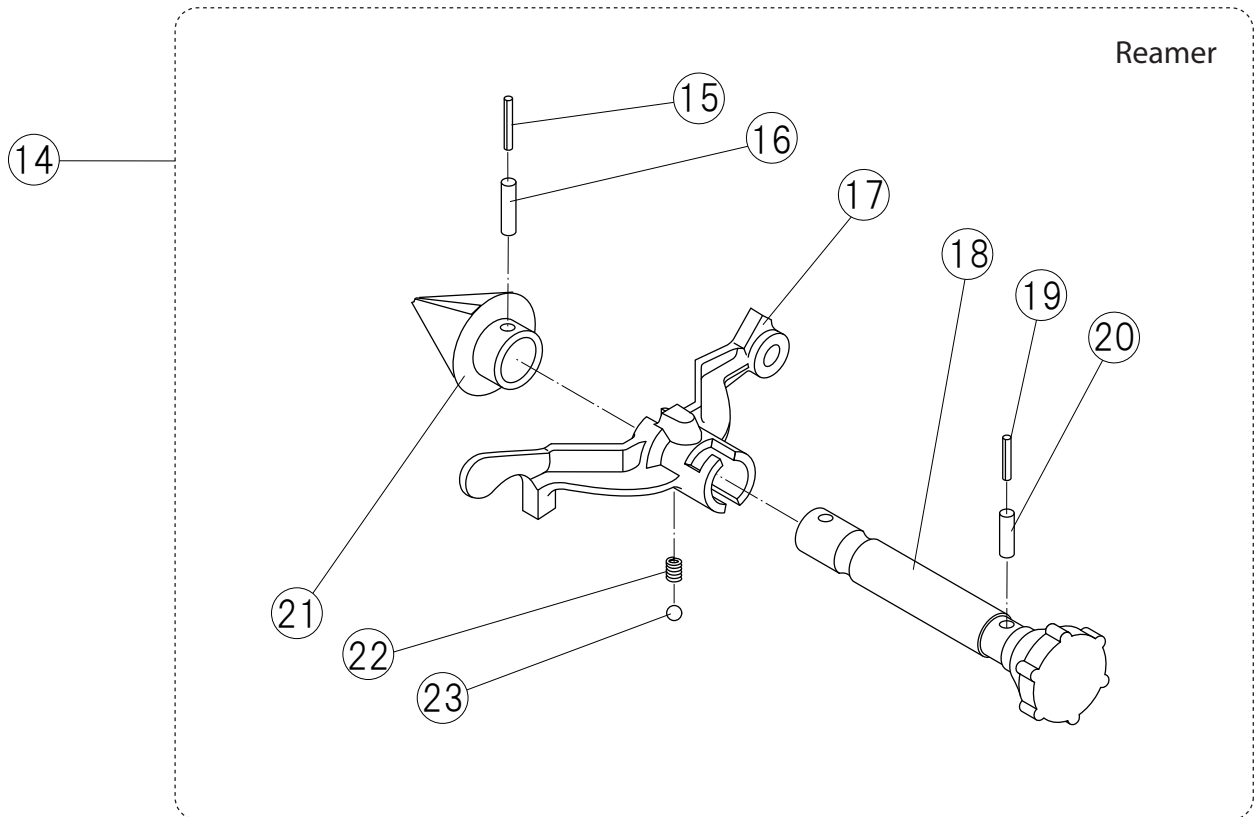
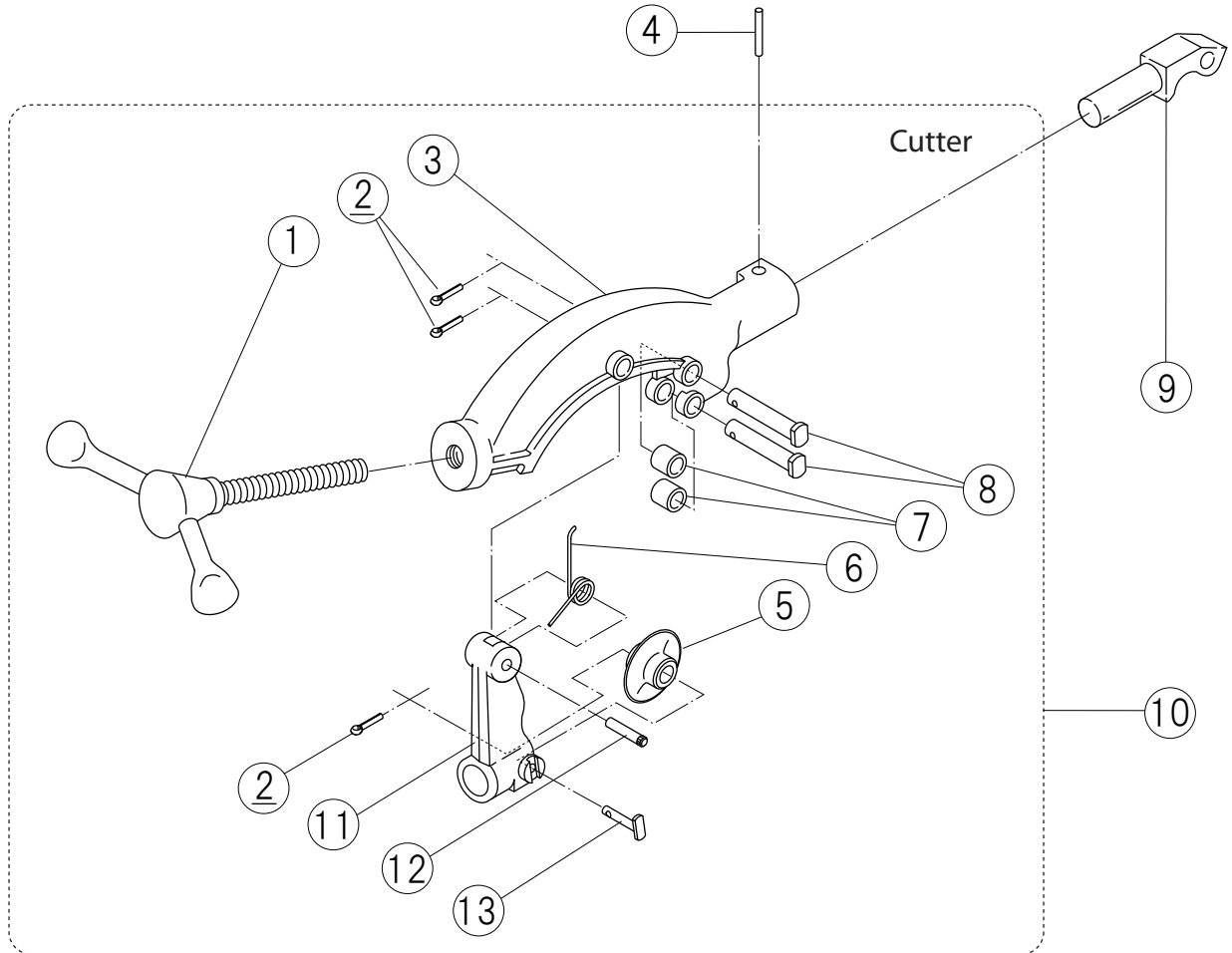
NP50A / NR50A - 3. MOTOR ASSEMBLY



NP50A / NR50A - 4. CARRIAGE



NP50A / NR50A - 5. CUTTER, REAMER



REX

www.rexind.co.jp

REX INDUSTRIES CO., LTD.

Overseas Sales Section & Factory :

1-9-3, Hishiyahigashi, Higashi Osaka 578-0948, Japan.

Tel.: 81 - 72 - 961 - 9820 Fax.: 81 - 72 - 961 - 9878

URL <http://www.rexind.co.jp>