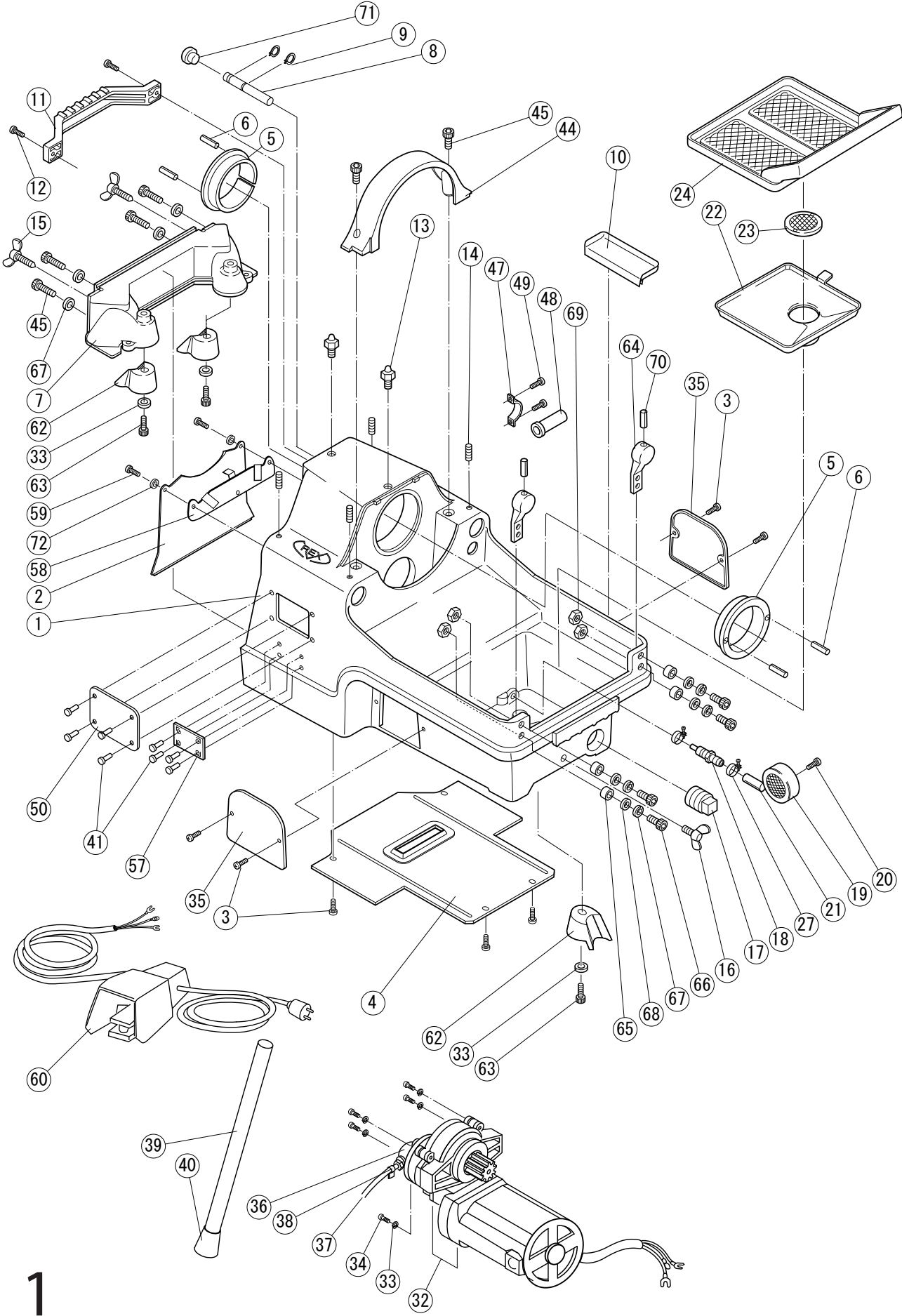
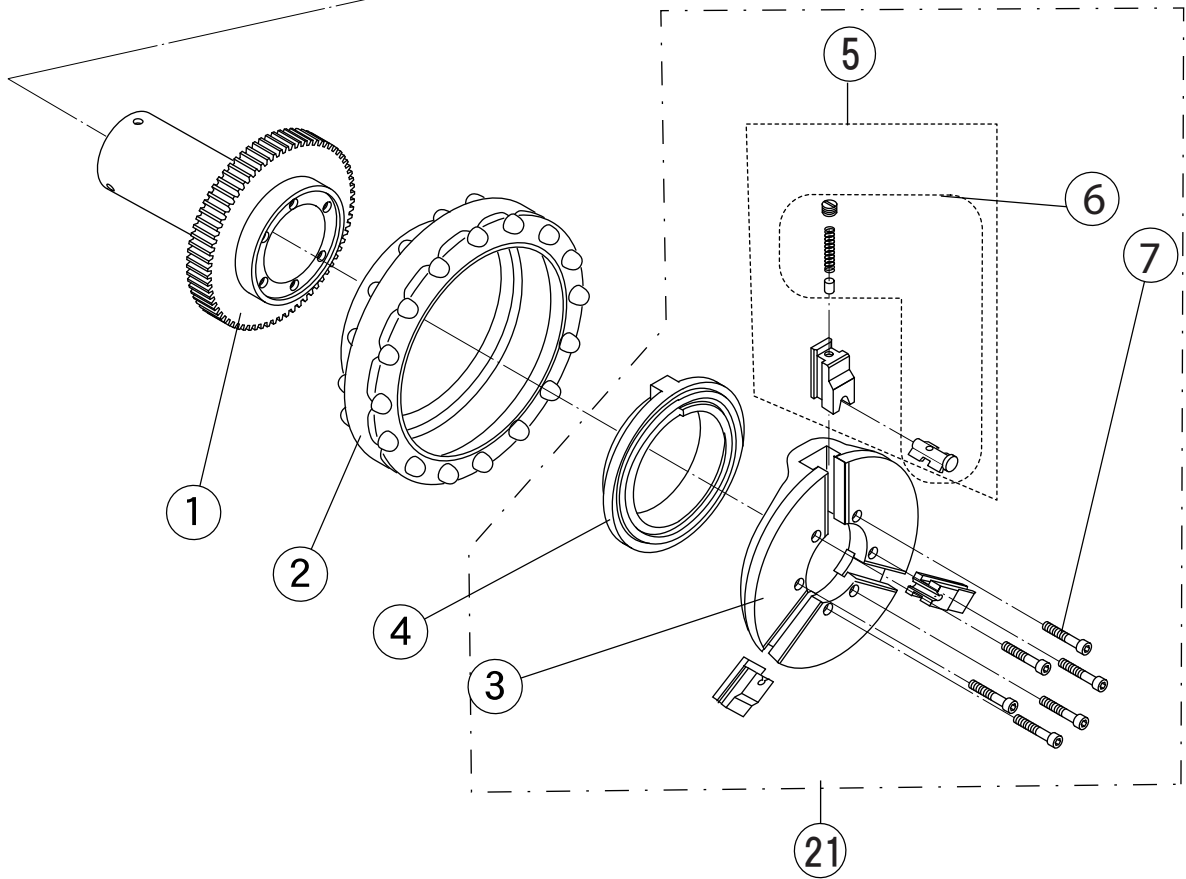
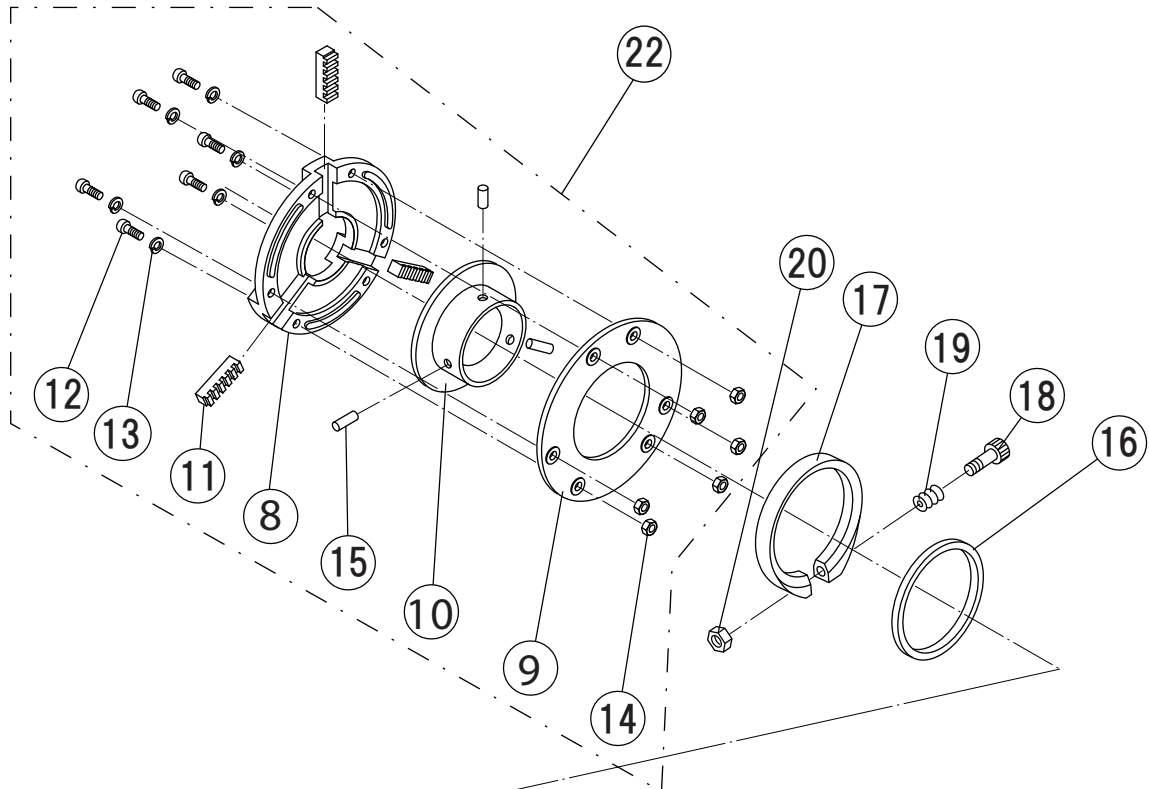


R50A(V)/P50A(V) : CE

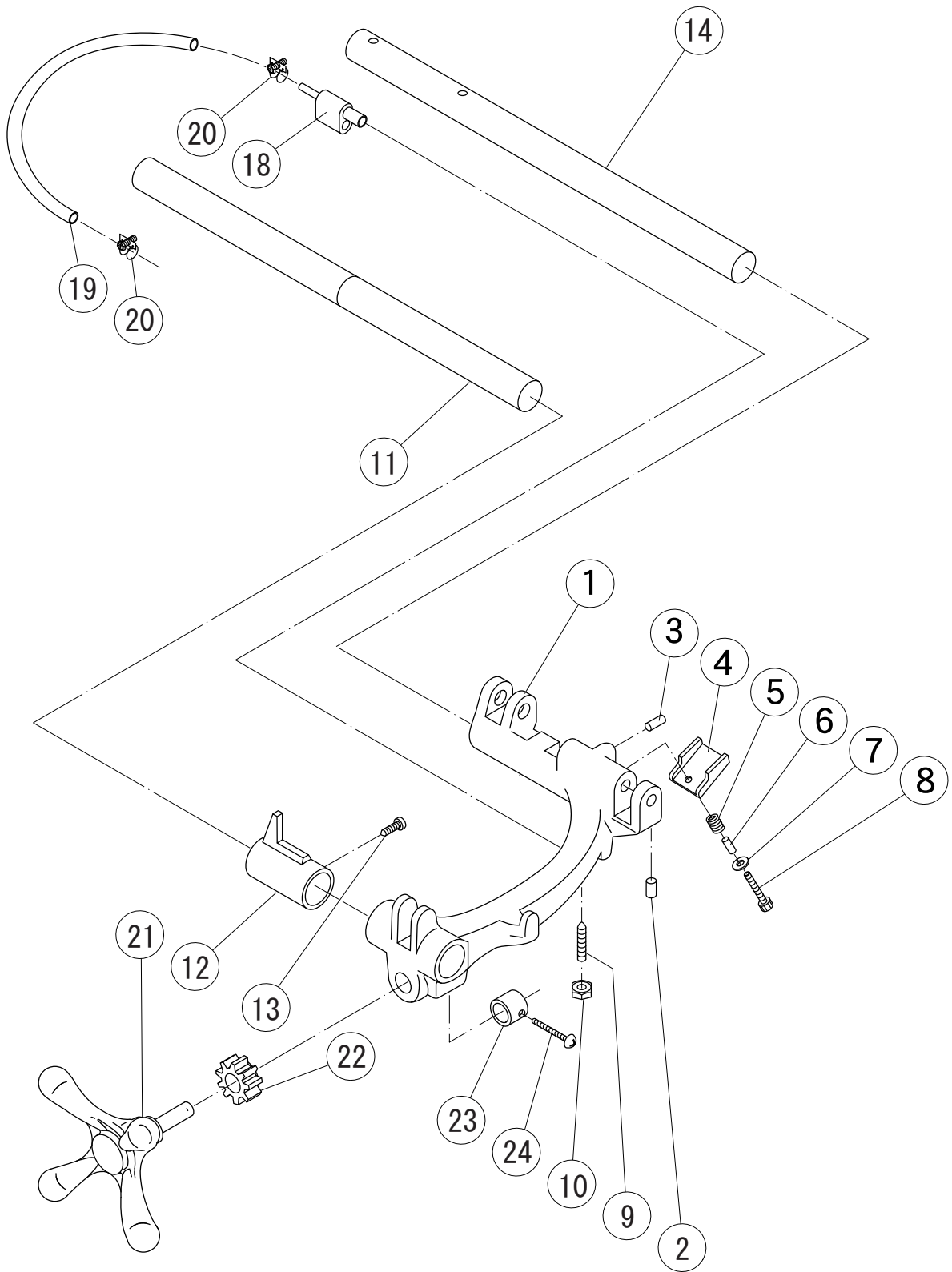
1.Base



2.Main Shaft

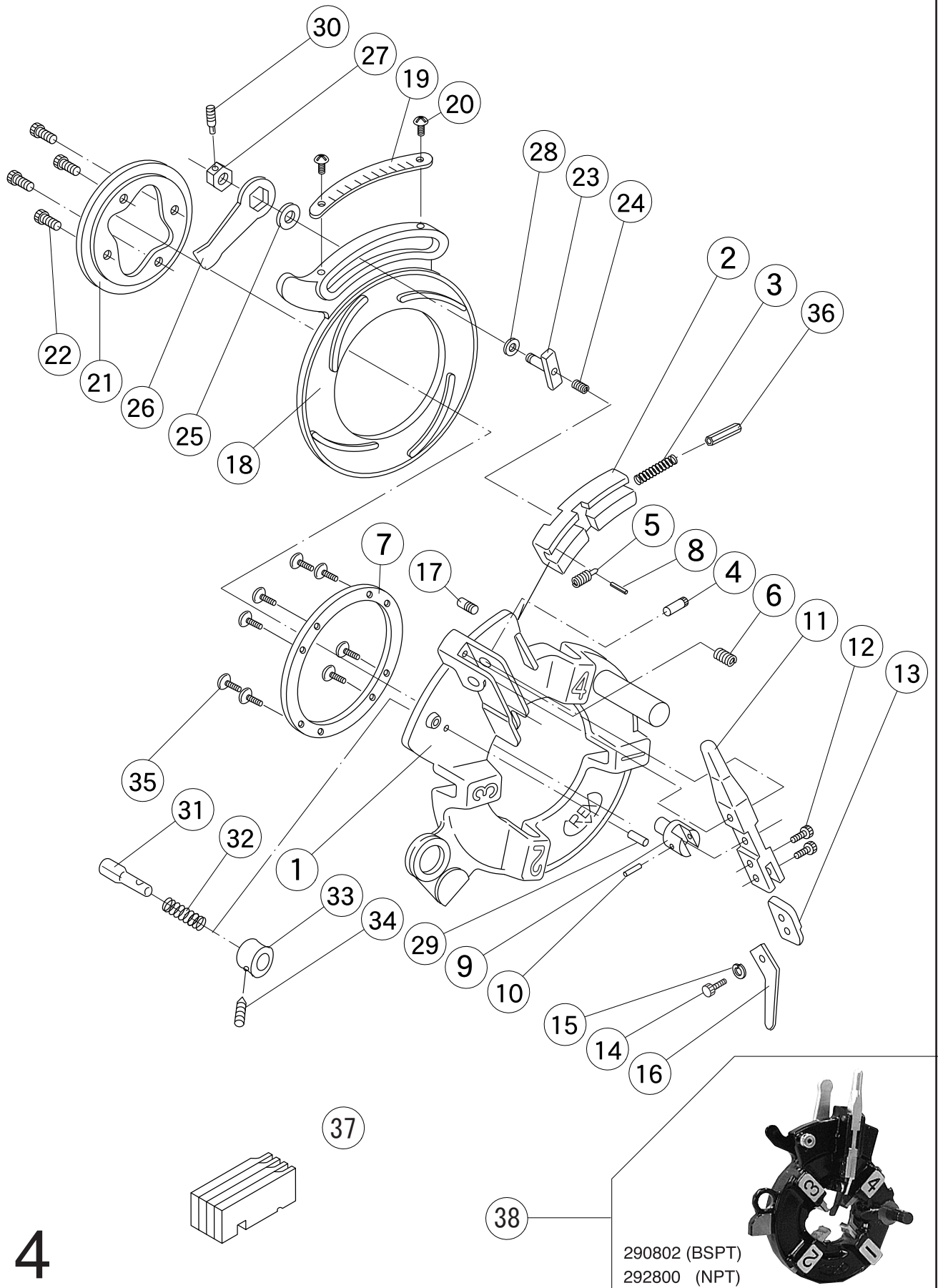


3.Carriage



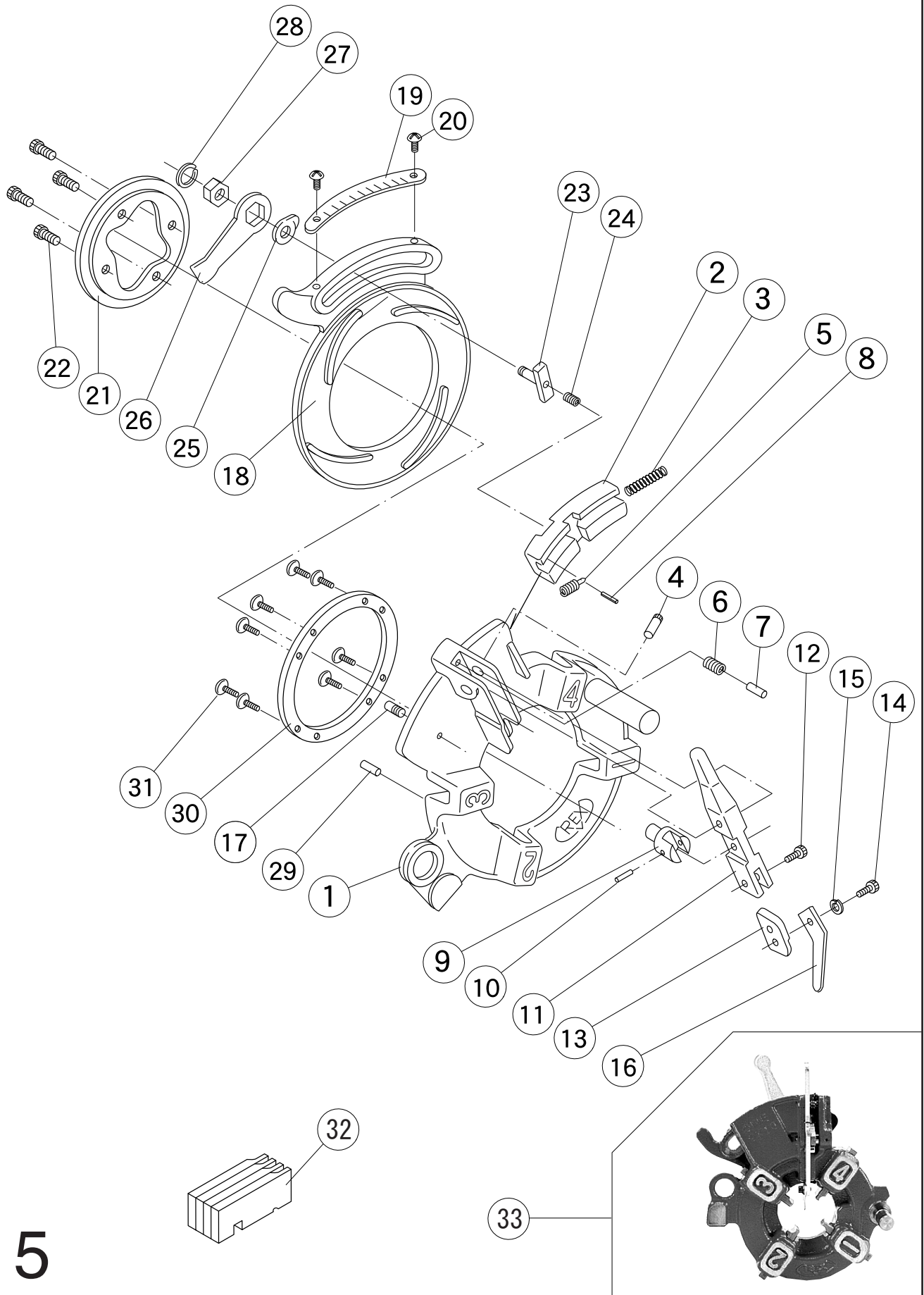
# R50AV

## 4.Uni-auto V R-type die head 1/2-2"



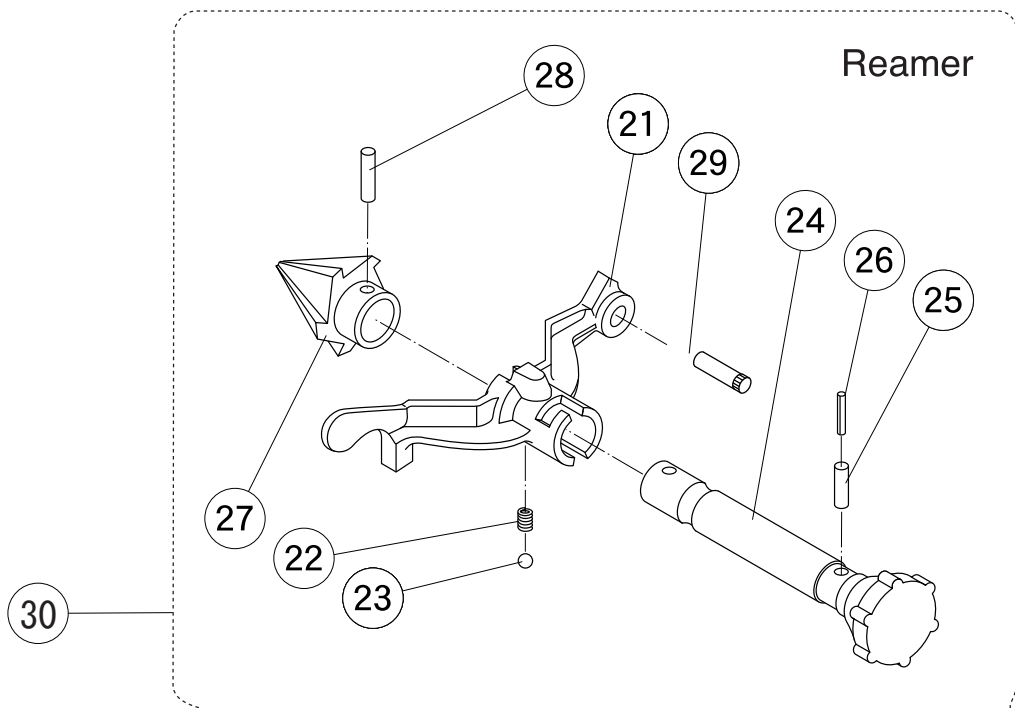
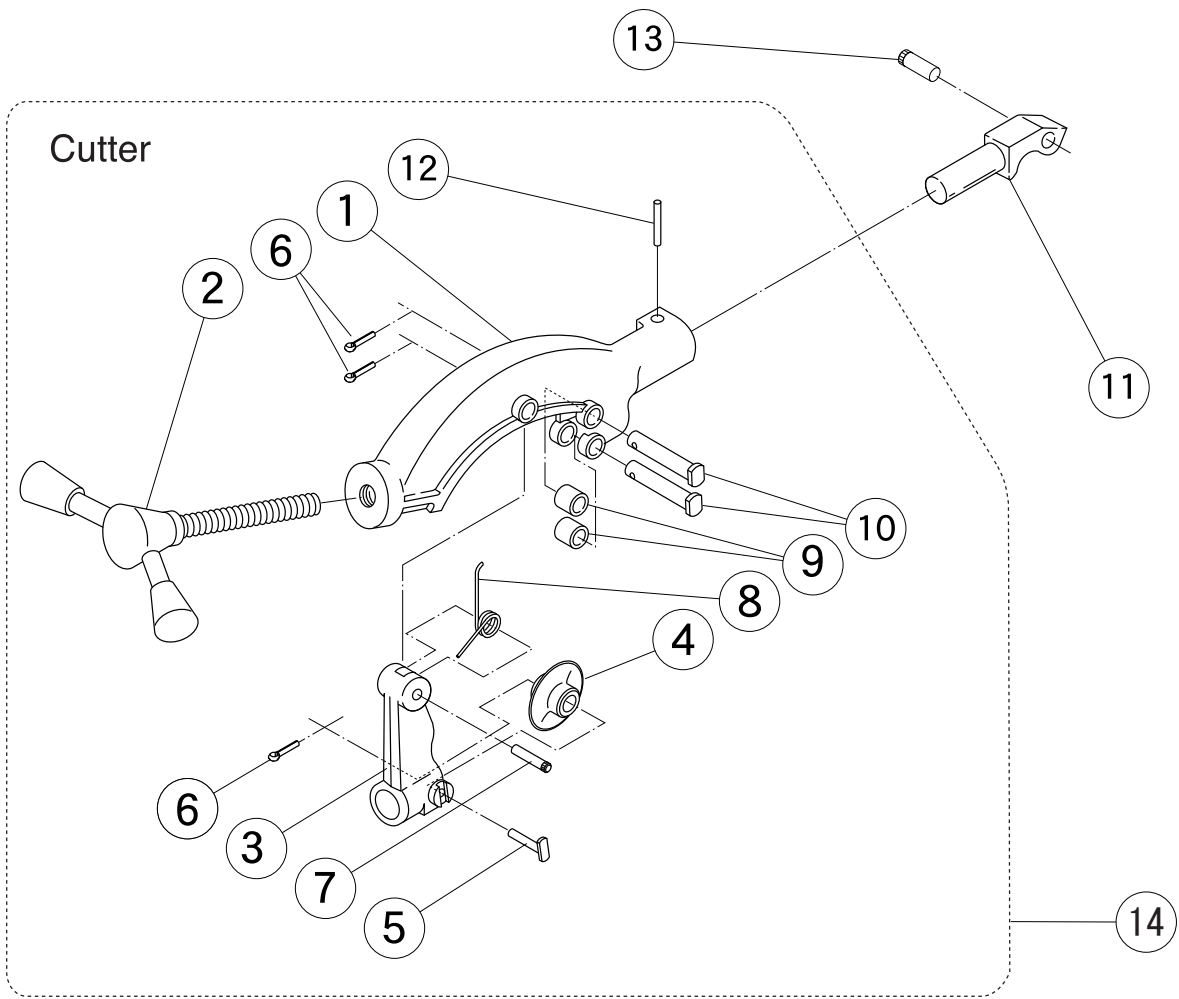
# P50AV

## 5.Uni-auto V P-type die head 1/2-2"



5

6.Cutter,Reamer



7. Motor, Pump

