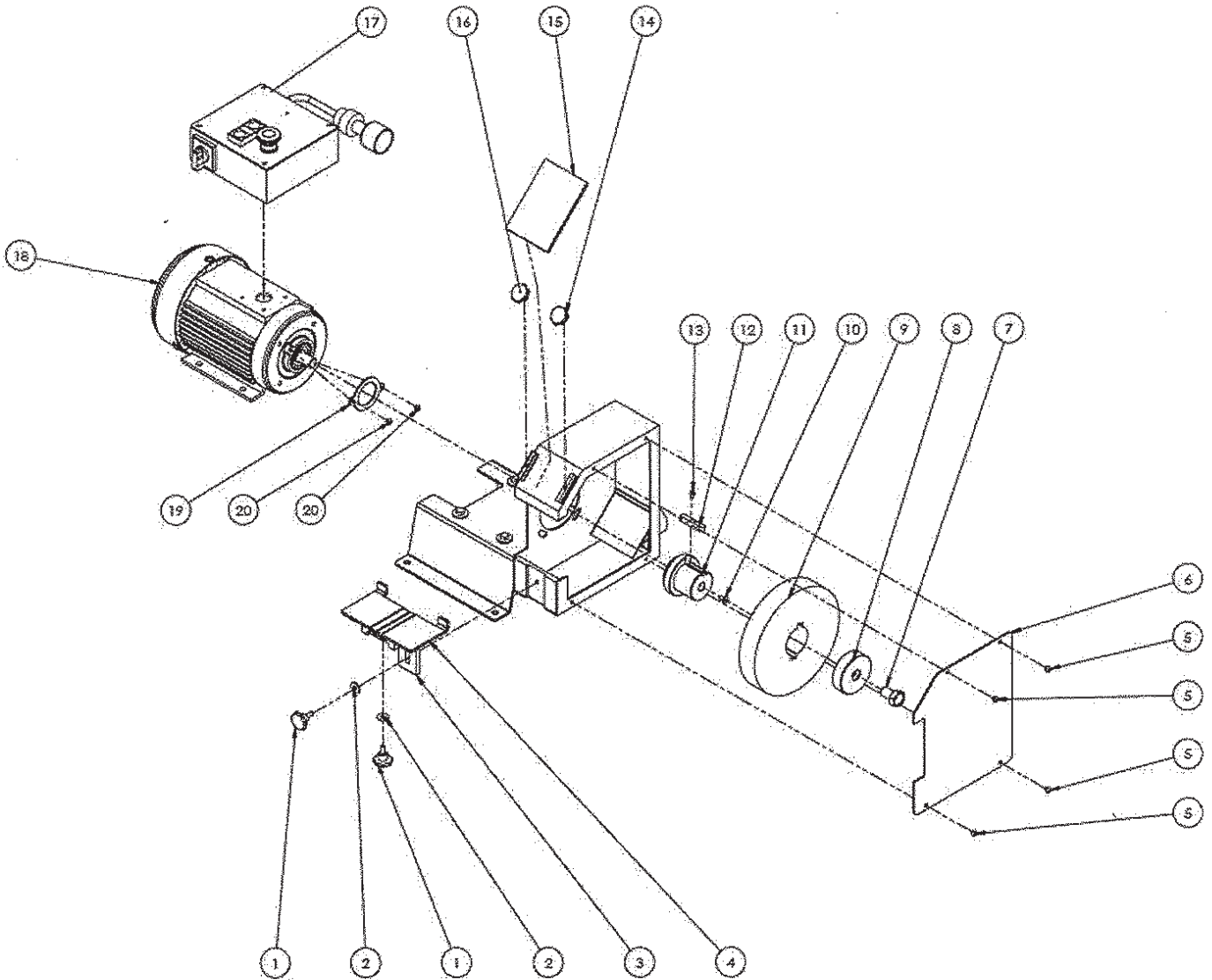
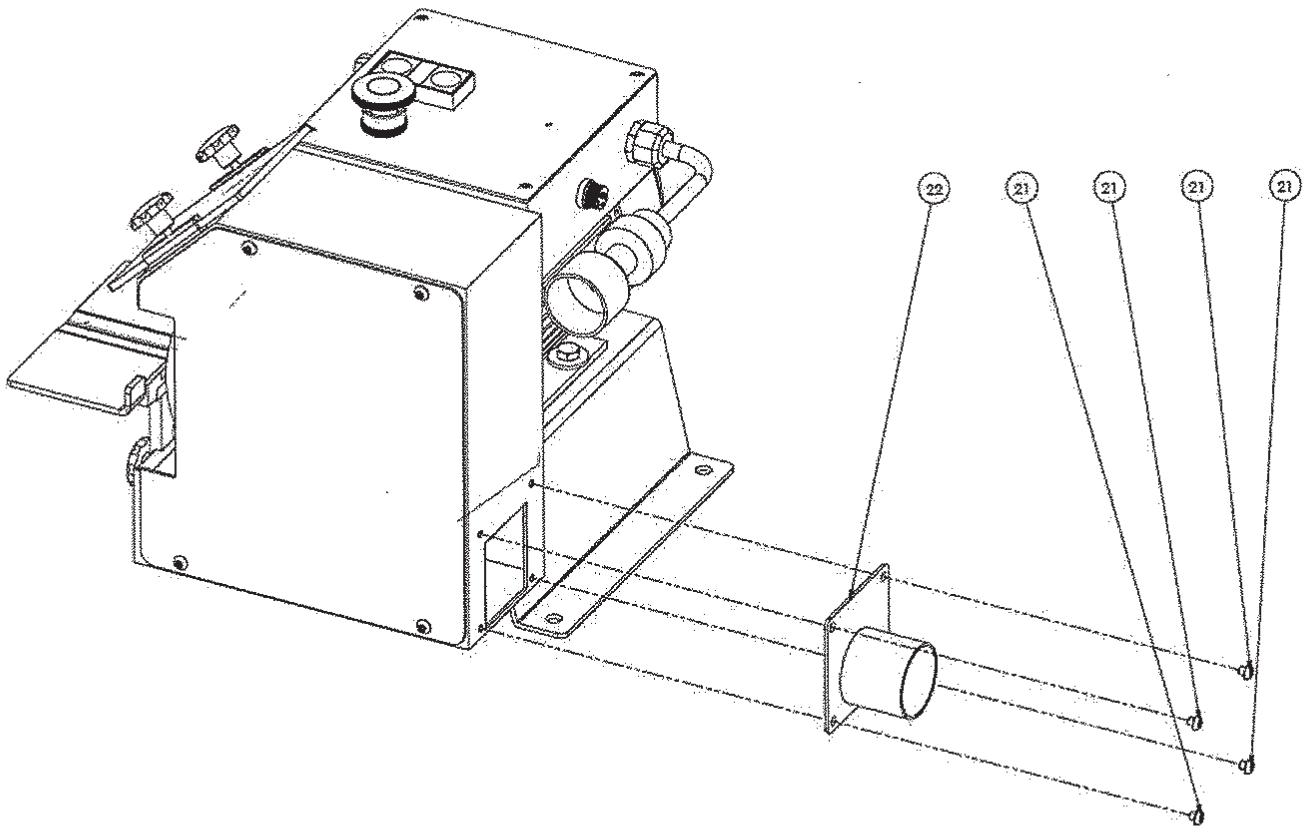


Onderdeeltkening OM200T



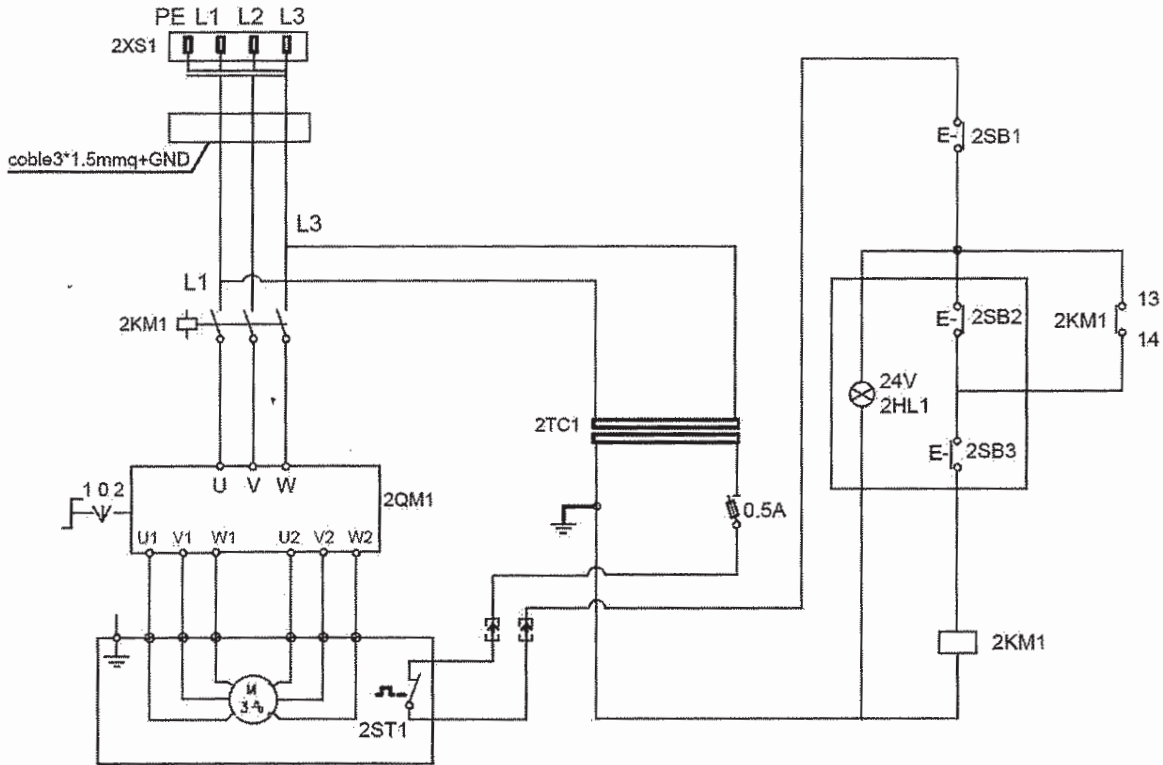
Onderdeeltkening OM200T



DC-200 PART LIST

No	Description	No	Description
1	Screws Handle M6*12	12	Key
2	Washer M6*16*1.5	13	Screws M4*10
3	Adjust seat-01	14	Screws Handle M5*10
4	Adjust seat-02	15	Acrylic Blinkers
5	Screws M5*10	16	Screws Handle M5*10
6	brush protect cover	17	Electronic box set
7	Screws M16*30	18	Motor
8	Shaft Cover	19	Bearing cover
9	Brush	20	Screws M5*12
10	Screws M6*16	21	Screws M5*10
11	brush connect shaft	22	dust collector connect tube

Onderdeeltkening Elektrisch OM200T



Reference	MODEL NO	DESCRIPTION
2KM1	S-P09-S/AC24V	electromagnetic switch for motor AC-600V AZ1=1TH=20A CE
2QM1	KEDU ZH-HC-4	speed control switch 25/16A 250V-7.5HP 400V-3HP CE
2HL1	RENY R9PDNVO	light for motor start BA9S 2W MAX 24V MAX CE
2TC1	Transformer	400V/24V/10AV
2SB1	AP AUSPICIOUS	ITH10A-Ui600V 120V/6A/240V/3A CE
2SB2	RENY R9C01VN	Motor stop switch AC15-DC13 ITH10A-Ui600V CE
2SB3	RENY R9C10VN	motor start switch AC15-DC13 ITH10A-Ui600V CE