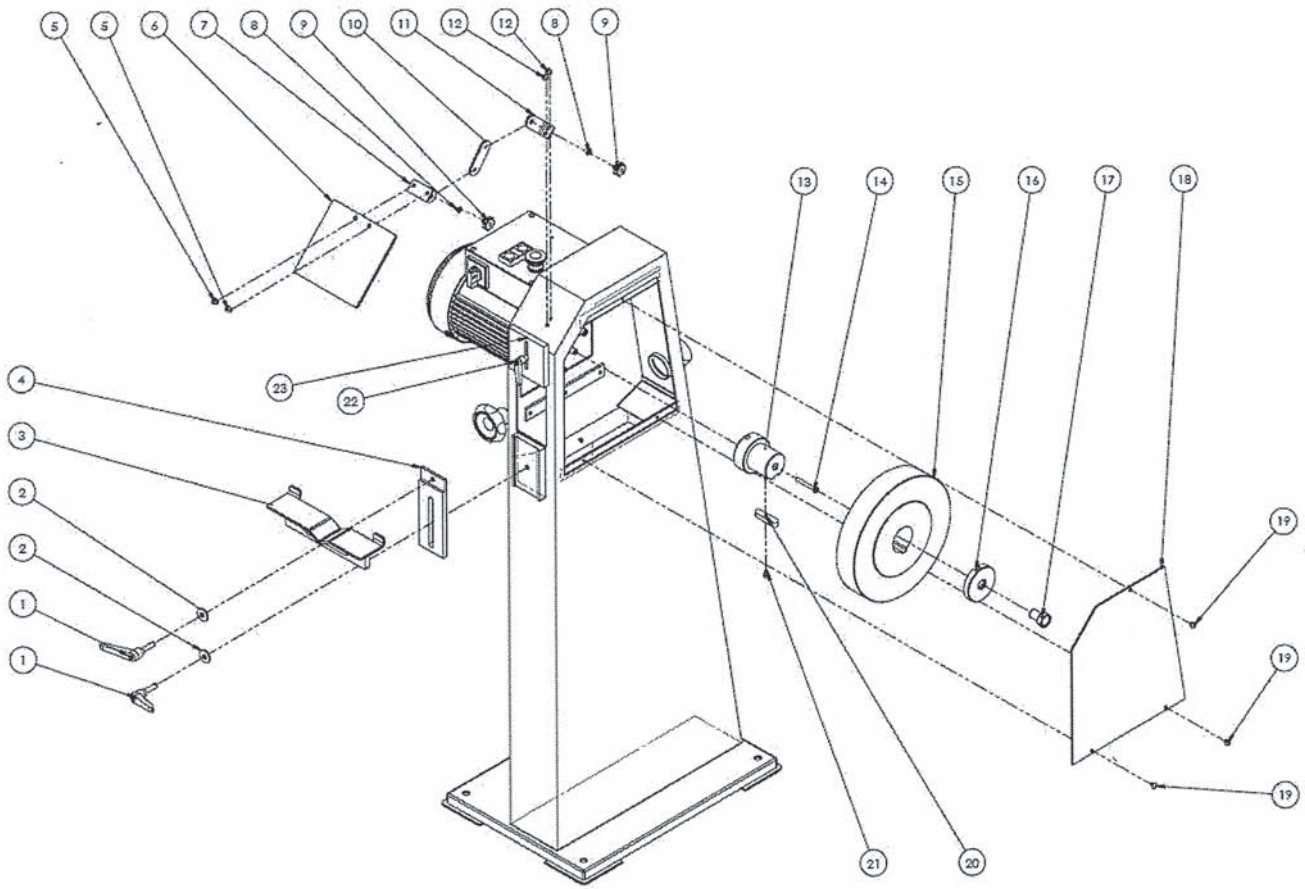
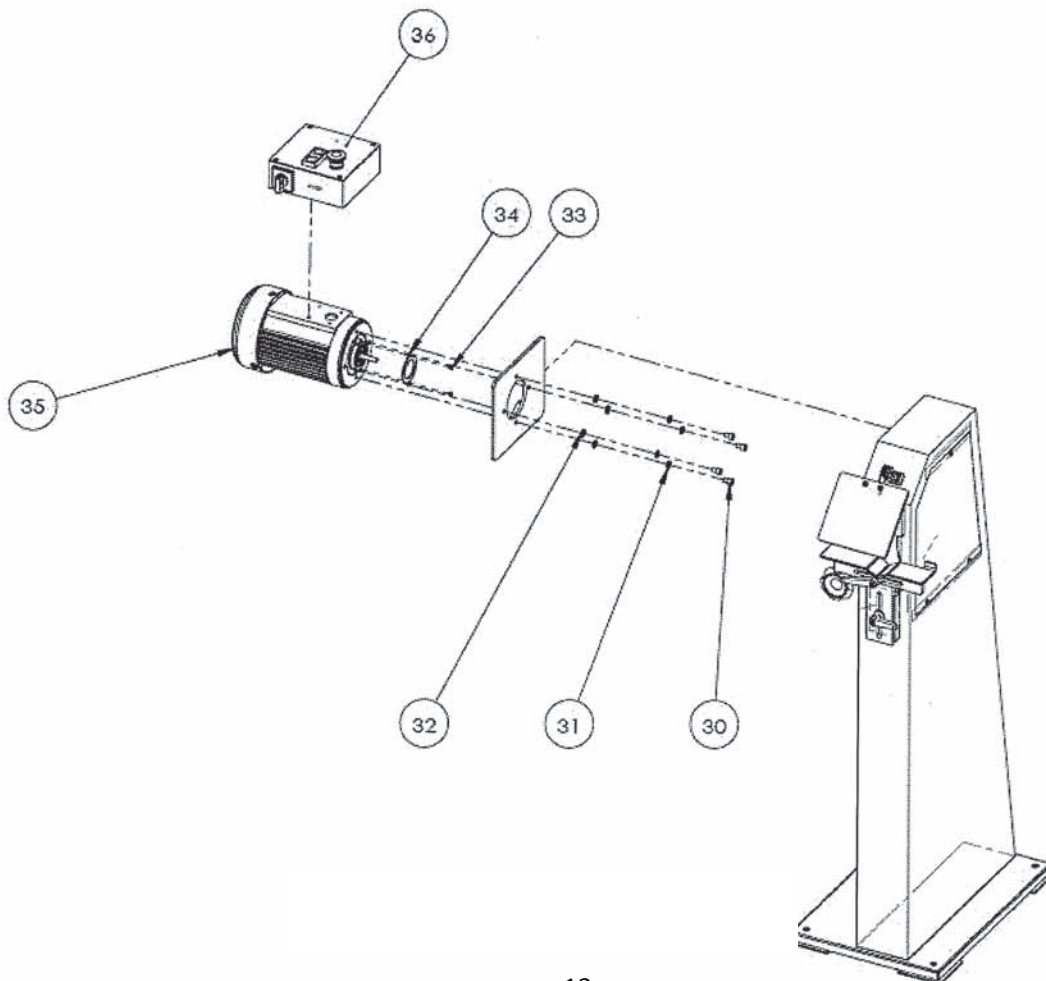
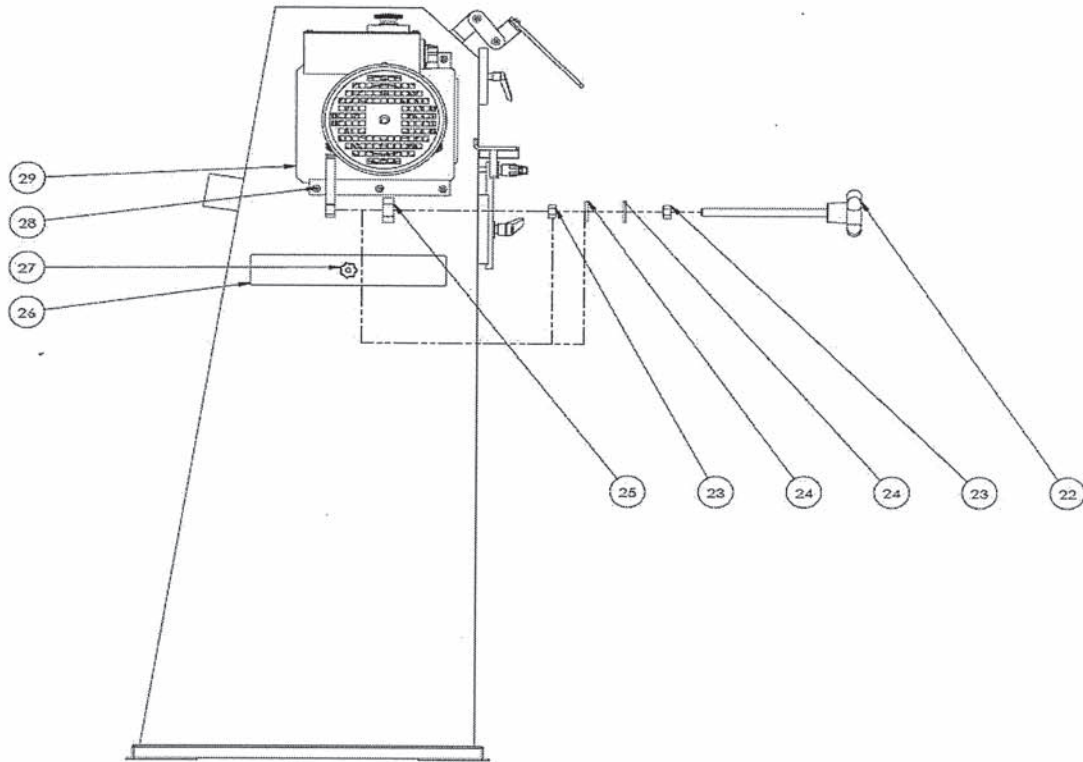


## Onderdeelttekeningen OM250S



Onderdeeltekeningen OM250S



**Onderdeellijst OM250S**

DC-250 PART LIST			
No	Description	No	Description
1	Screws Handle M8*30	19	Screws M6*10
2	Washer M8*18*2	20	key
3	Adjust the seat-01	21	Screws M4*10
4	Adjust the seat-02	22	Screws Handle M12*140
5	Screws M6*10	23	Nut M12
6	Acrylic Blinkers	24	Washer M12*28*3
7	Blinkers support-1	25	support plate
8	Washer M6	26	chips tray
9	Screws Handle M6*10	27	Screws Handle M5*10
10	Blinkers support-2	28	Screws M6*20
11	Blinkers support-3	29	motor support plate
12	Screws M6*10	30	Screws M8*25
13	brush connect shaft	31	Spring Washer M8
14	Screws M6*16	32	Washer M8*18*2
15	Ø250 brush	33	Screws M5*12
16	shaft cover	34	Bearing bracket
17	Screws M16*30	35	Motor
18	Steel brush cover	36	Electronic box set